

High performance and high energy efficiency with 4th generation AC technology

Enhanced hydraulic performance driven by higher lift speeds and consistent hydraulic pressure and flow

A variety of intuitive control options integrated into the adjustable armrest

Sealed components to help protect against dust and moisture

The ability to run up to two shifts on a single battery charge

Lithium Ion configuration available



EFG 213 – 220 / 316k – 320

3/4-Wheel Electric Counterbalanced Truck (2,500 – 4,000 lbs.)

The advantages of electrics

Jungheinrich AC technology provides several advantages that can directly lead to a higher return on investment:

- Minimal energy consumption due to high efficiency and energy recovery.
- Increased serviceability and reduced amount of mechanical and hydraulic componentry means minimal service costs.
- Increased productivity with efficient, maneuverable electronic power steering.

The bottom line? Total cost of ownership can be significantly reduced when you combine the advantages of industry-leading travel and performance levels that can run two shifts on a single charge with simplified maintenance requirements and all of the other benefits that come with owning a Jungheinrich EFG electric pneumatic forklift.

Outdoor applications

Harsh environments are no problem for the EFG 213-220 / 316k-320 series of forklifts. Major electrical components including connectors, controllers, motors and more are sealed and boast high levels of protection from moisture and dust. Additionally, the enclosed cabin option provides a comfortable and productive environment for operators – even in wet, cold or extreme conditions.

**JUNGHEINRICH**[®]

Technical data

				EFG 213 (3-wheel)		EFG 216k (3-wheel)		EFG 216 (3-wheel)			
Characteristics	1	Capacity at rated load center	lb	kg	2,510	1,300	3,100	1,600	3,100	1,600	
	2	Capacity at load center – distance	in	mm	24	500	24	500	24	500	
	3	Power			electric		electric		electric		
	4	Tire type – cushion, solid pneumatic			solid pneumatic		solid pneumatic		solid pneumatic		
	5	Wheels (x = driven) number front / rear			2x/2		2x/2		2x/2		
Dimensions	11	Maximum fork height*	h ₃	in	mm	118	3,000	118	3,000	118	3,000
	12	Free fork height*	h ₂	in	mm	5.9	150	5.9	150	5.9	150
	13	Forks – thickness	s	in	mm	1.6	40	1.6	40	1.6	40
		Forks – width	e	in	mm	3.1	80	3.1	80	3.1	80
		Forks – length	l	in	mm	45.3	1,150	45.3	1,150	45.3	1,150
		Fork spacing – out-to-out minimum / maximum	b ₁₂	in	mm	12.3/36	312/914	12.3/36	312/914	12.3/36	312/914
	14	Tilt – forward / backward	d	deg		7/7		7/7		7/7	
	15	Length to fork face	l ₂	in	mm	70.0	1,779	74.3	1,887	78.5	1,995
	16	Standard width	b	in	mm	41.7	1,060	41.7	1,060	41.7	1,060
		Width w/ wide stance drive wheels			in		mm		n/a		n/a
	17	Height with lowered mast	h ₁	in	mm	79	2,000	79	2,000	79	2,000
	18	Seat height to SIP	h ₇	in	mm	36.2	920	36.2	920	36.2	920
	19	Height to top of overhead guard	h ₆	in	mm	80.4	2,040	80.4	2,040	80.4	2,040
20	Height with extended mast	h ₄	in	mm	166	4,216	166	4,216	166	4,216	
21	Minimum outside turning radius	Wa	in	mm	56.7	1,440	60.9	1,548	65.2	1,655	
22	Load moment constant	x	in	mm	13.2 ¹⁾	335	13.4 ¹⁾	340	13.4 ¹⁾	340	
23	Minimum aisle - 90° stack – must add load length and clearance	Ast	in	mm	69.9 ¹⁾	1,780	74.3 ¹⁾	1,890	78.6 ¹⁾	2,000	
Performance	24	travel speed – loaded - 36V / 48V	mph	km/h	9.3 / 9.9	15 / 16	9.3 / 9.9	15 / 16	9.3 / 9.9	15 / 16	
		travel speed – unloaded - 36V / 48V	mph	km/h	9.9 / 9.9	16 / 16	9.9 / 9.9	16 / 16	9.9 / 9.9	16 / 16	
	25	lift speed – loaded - 36V / 48V	fpm	m/s	78.7 / 100.4	0.40 / 0.51	72.8 / 100.4	0.37 / 0.51	68.9 / 100.4	0.37 / 0.51	
		lift speed – unloaded - 36V / 48V	fpm	m/s	112.2 / 145.7	0.57 / 0.74	112.2 / 145.7	0.57 / 0.74	112.2 / 145.7	0.57 / 0.74	
	26	lowering speed – loaded - 36V / 48V	fpm	m/s	108.3	0.55	108.3	0.55	108.3	0.55	
		lowering speed – unloaded - 36V / 48V	fpm	m/s	108.3	0.55	108.3	0.55	108.3	0.55	
28	maximum gradeability – loaded - 36V / 48V			%	22 / 28		21 / 27		21 / 27		
	maximum gradeability – unloaded - 36V / 48V			%	30 / 31		27 / 31		27 / 33		
Weight	29	Empty with minimum weight battery	lb	kg	5,935	2,692	6,523	2,959	6,654	3,018	
	30	Axle load with rated load – front	lb	kg	7,791	3,534	8,913	4,043	8,929	4,050	
		Axle load with rated load – rear	lb	kg	1,010	458	1,138	516	1,248	566	
		Axle load without load – front	lb	kg	2,881	1,307	3,069	1,392	3,261	1,479	
		Axle load without load – rear	lb	kg	3,053	1,385	3,455	1,567	3,393	1,539	
Chassis	31	Tire size – front, standard solid pneumatic tires	in		18x7-8		18x7-8		18x7-8		
		Tire size – rear solid pneumatic tires	in		140/55-9		140/ 55-9		140/55 - 9		
	32	Wheelbase	y	in	mm	49.2	1,249	53.4	1,357	57.7	1,465
	33	Tread width – front, standard solid pneumatic tires	in		mm	35.6	904	35.6	904	35.6	904
	34	Ground clearance – rear solid pneumatic tires	in		mm	6.9	176	6.9	176	6.9	176
	35	Ground clearance – at lowest point at mast	m ₁	in	mm	3.1	80	3.1	80	3.1	80
36	Ground clearance – at center of wheelbase	m ₂	in	mm	3.9	100	3.9	100	3.9	100	
37	Service brakes			type	electric / mechanical		electric / mechanical		electric / mechanical		
38	Parking brakes			type	electromagnetic		electromagnetic		electromagnetic		
39	Battery type			lead-acid		lead-acid		lead-acid			
40	Battery dimensions (length x width x height)	in		20.55 x 32.68 x 24.69		24.80 x 32.68 x 24.69		29.06 x 32.68 x 24.69			
41	Battery – maximum capacity at 6 hour discharge rate	Ah	kWh	400	18.7	500	23.3	600	27.8		
42	Battery weight, minimum	lb	kg	1,497	679	1,791	812	2,147	974		
43	Motors traction output (60 min. rating) x 2	HP	kW	6.0	4.5	6.0	4.5	6.0	4.5		
44	Controls – lift output (15% rating)	HP	kW	15.4	11.5	15.4	11.5	15.4	11.5		
45	Drive controls			type	Impulse / AC		Impulse / AC		Impulse / AC		
46	hydraulic controls			type	AC		AC		AC		
47	Relief pressure for attachments at auxiliary	psi	bar	2,900	200	2,900	200	2,900	200		
48	Oil flow for attachments			l/min	27 / 30		27 / 30		27 / 30		
	Noise level mean value at operator's ear			dB(A)	66		66		66		

1) Add 1.0" (25 mm) if truck is equipped with a triplex mast. Add an additional 0.9" (23 mm) if equipped with an integrated sideshifter, or an additional 2.4" (60 mm) if equipped with a hang-on sideshifter.

* Lift with standard two-stage mast (ZT)

as of: 06/2021

			EFG 218k (3-wheel)		EFG 218 (3-wheel)		EFG 220 (3-wheel)	
1	lb	kg	3,490	1,800	3,490	1,800	3,880	2,000
2	in	mm	24	500	24	500	24	500
3			electric		electric		electric	
4			solid pneumatic		solid pneumatic		solid pneumatic	
5			2x/2		2x/2		2x/2	
11	in	mm	118	3,000	118	3,000	118	3,000
12	in	mm	5.9	150	5.9	150	5.9	150
	in	mm	1.6	40	1.6	40	1.6	40
	in	mm	3.1	80	3.1	80	3.9	100
13	in	mm	45.3	1,150	45.3	1,150	45.3	1,150
	in	mm	12.3/36	312/914	12.3/36	312/914	12.3/36	312/914
14	deg		7/7		7/7		7/7	
15	in	mm	74.3	1,887	78.5	1,995	78.5	1,995
16	in	mm	44.1	1,120	44.1	1,120	44.1	1,120
	in	mm	n/a		n/a		n/a	
17	in	mm	79	2,000	79	2,000	79	2,000
18	in	mm	36.2	920	36.2	920	36.2	920
19	in	mm	80.4	2,040	80.4	2,040	80.4	2,040
20	in	mm	166	4,216	166	4,216	166	4,216
21	in	mm	60.9	1,548	65.2	1,655	65.2	1,655
22	in	mm	13.4 ¹⁾	340	13.4 ¹⁾	340	13.4 ¹⁾	340
23	in	mm	74.3 ¹⁾	1,890	78.6 ¹⁾	2,000	78.6 ¹⁾	2,000
24	mph	km/h	8.7 / 9.9	14 / 16	8.7 / 9.9	14 / 16	8.7 / 9.9	14 / 16
	mph	km/h	9.9 / 9.9	16 / 16	9.9 / 9.9	16 / 16	9.9 / 9.9	16 / 16
25	fpm	m/s	68.9 / 90.6	0.35 / 0.46	68.9 / 90.6	0.35 / 0.46	65.0 / 88.6	0.33 / 0.45
	fpm	m/s	108.3 / 145.7	0.55 / 0.74	108.3 / 145.7	0.55 / 0.74	108.3 / 124.0	0.55 / 0.63
26	fpm	m/s	108.3	0.55	108.3	0.55	108.3	0.55
	fpm	m/s	108.3	0.55	108.3	0.55	108.3	0.55
28	%		19 / 25		19 / 25		18 / 24	
	%		24 / 29		26 / 31		20 / 30	
29	lb	kg	7,143	3,240	7,035	3,191	7,421	3,366
	lb	kg	9,826	4,457	9,870	4,477	10,547	4,784
30	lb	kg	1,285	583	1,133	514	1,283	582
	lb	kg	3,137	1,423	3,382	1,534	3,338	1,514
	lb	kg	4,006	1,817	3,653	1,657	4,083	1,852
31	in		200/50-10		200/50-10		200/50-10	
	in		140/55-9		140/55-9		140/55-9	
32	in	mm	53.4	1,357	57.7	1,465	57.7	1,465
33	in	mm	36	914	36	914	36	914
34	in	mm	6.9	176	6.9	176	6.9	176
35	in	mm	3.1	80	3.1	80	3.1	80
36	in	mm	3.9	100	3.9	100	3.9	100
37	type		electric / mechanical		electric / mechanical		electric / mechanical	
38	type		electromagnetic		electromagnetic		electromagnetic	
39			lead-acid		lead-acid		lead-acid	
40	in		24.80 x 32.68 x 24.69		29.06 x 32.68 x 24.69		29.06 x 32.68 x 24.69	
41	Ah	kWh	500	23.3	600	27.8	600	27.8
42	lb	kg	1,791	812	2,147	974	2,147	974
43	HP	kW	6.0	4.5	6.0	4.5	6.0	4.5
44	HP	kW	15.4	11.5	15.4	11.5	15.4	11.5
45	type		Impulse / AC		Impulse / AC		Impulse / AC	
46	type		AC		AC		AC	
47	psi	bar	2,900	200	2,900	200	2,900	200
	l/min		27 / 30		27 / 30		27 / 30	
48	dB(A)		66		66		66	



Technical data

					EFG 316k (4-wheel)		EFG 316 (4-wheel)		EFG 318k (4-wheel)		
Characteristics	1	Capacity at rated load center	lb	kg	3,100	1,600	3,100	1,600	3,490	1,800	
	2	Capacity at load center – distance	in	mm	24	500	24	500	24	500	
	3	Power			electric		electric		electric		
	4	Tire type – cushion, solid pneumatic			solid pneumatic		solid pneumatic		solid pneumatic		
	5	Wheels (x = driven) number front / rear			2x/2		2x/2		2x/2		
Dimensions	11	Maximum fork height*	h ₃	in	mm	118	3,000	118	3,000	118	3,000
	12	Free fork height*	h ₂	in	mm	5.9	150	5.9	150	5.9	150
	13	Forks – thickness	s	in	mm	1.6	40	1.6	40	1.6	40
		Forks – width	e	in	mm	3.1	80	3.1	80	3.1	80
		Forks – length	l	in	mm	45.3	1,150	45.3	1,150	45.3	1,150
		Fork spacing – out-to-out minimum / maximum	b ₁₂	in	mm	12.3/36	312/914	12.3/36	312/914	12.3/36	312/914
	14	Tilt – forward / backward	d	deg		7/7		7/7		7/7	
	15	Length to fork face	l ₂	in	mm	78.3	1,990	82.6	2,098	78.3	1,990
	16	Standard width	b	in	mm	41.7	1,060	41.7	1,060	44.1	1,120
		Width w/ wide stance drive wheels			in	mm	n/a		n/a		n/a
	17	Height with lowered mast	h ₁	in	mm	79	2,000	79	2,000	79	2,000
	18	Seat height to SIP	h ₇	in	mm	36.2	920	36.2	920	36.2	920
	19	Height to top of overhead guard	h ₆	in	mm	80.4	2,040	80.4	2,040	80.4	2,040
20	Height with extended mast	h ₄	in	mm	166	4,216	166	4,216	166	4,216	
21	Minimum outside turning radius	Wa	in	mm	73.2	1,859	78.1	1,985	73.2	1,859	
22	Load moment constant	x	in	mm	13.4 ¹⁾	340	13.4 ¹⁾	340	13.4 ¹⁾	340	
23	Minimum aisle - 90° stack – must add load length and clearance	Ast	in	mm	86.6 ¹⁾	2,200	91.5 ¹⁾	2,325	86.6 ¹⁾	2,200	
Performance	24	travel speed – loaded - 36V / 48V	mph		km/h	9.3 / 10.6	15 / 17	9.3 / 10.6	15 / 17	9.3 / 10.6	15 / 17
		travel speed – unloaded - 36V / 48V	mph		km/h	9.9 / 10.6	16 / 17	9.9 / 10.6	16 / 17	9.9 / 10.6	16 / 17
	25	lift speed – loaded - 36V / 48V	fpm		m/s	76.8 / 100.4	0.39 / 0.51	76.8 / 100.4	0.39 / 0.51	72.8 / 90.6	0.37 / 0.46
		lift speed – unloaded - 36V / 48V	fpm		m/s	112.2 / 145.7	0.57 / 0.74	112.2 / 145.7	0.57 / 0.74	108.3 / 145.7	0.55 / 0.74
	26	lowering speed – loaded - 36V / 48V	fpm		m/s	108.3	0.55	108.3	0.55	108.3	0.55
		lowering speed – unloaded - 36V / 48V	fpm		m/s	108.3	0.55	108.3	0.55	108.3	0.55
	28	maximum gradeability – loaded - 36V / 48V			%	27		27		26	
		maximum gradeability – unloaded - 36V / 48V			%	35		35		35	
Weight	29	Empty with minimum weight battery	lb	kg	6,601	2,994	6,537	2,965	6,964	3,159	
	30	Axle load with rated load – front	lb	kg	8,807	3,995	8,891	4,033	9,729	4,413	
		Axle load with rated load – rear	lb	kg	1,321	599	1,173	532	1,204	546	
		Axle load without load – front	lb	kg	3,003	1,362	3,250	1,474	3,084	1,399	
		Axle load without load – rear	lb	kg	3,598	1,632	3,287	1,491	3,880	1,760	
Chassis	31	Tire size – front, standard solid pneumatic tires	in		18x7-8		18x7-8		200/50-10		
		Tire size – rear solid pneumatic tires	in		16x6-8		16x6-8		16x6-8		
	32	Wheelbase	y	in	mm	55.1	1,400	59.4	1,508	55.1	1,400
	33	Tread width – front, standard solid pneumatic tires	in		mm	35.6	904	35.6	904	36.0	914
	34	Ground clearance – rear solid pneumatic tires	in		mm	32.7	830	32.7	830	32.7	830
	35	Ground clearance – at lowest point at mast	m ₁	in	mm	3.1	80	3.1	80	3.1	80
	36	Ground clearance – at center of wheelbase	m ₂	in	mm	3.9	100	3.9	100	3.9	100
Powertrain	37	Service brakes			type	electric / mechanical		electric / mechanical		electric / mechanical	
	38	Parking brakes			type	electromagnetic		electromagnetic		electromagnetic	
	39	Battery type			lead - acid		lead - acid		lead - acid		
	40	Battery dimensions (length x width x height)	in		24.80 x 32.68 x 24.69		29.06 x 32.68 x 24.69		24.80 x 32.68 x 24.69		
	41	Battery – maximum capacity at 6 hour discharge rate	Ah	kWh	500	23.3	600	27.8	500	23.3	
	42	Battery weight, minimum	lb	kg	1,791	812	2,147	974	1,791	812	
	43	Motors traction output (60 min. rating) x 2	HP	kW	6.0	4.5	6.0	4.5	6.0	4.5	
	44	Controls – lift output (15% rating)	HP	kW	15.4	11.5	15.4	11.5	15.4	11.5	
	45	Drive controls			type	Impulse / AC		Impulse / AC		Impulse / AC	
	46	hydraulic controls			type	AC		AC		AC	
	47	Relief pressure for attachments at auxiliary	psi	bar	3,336	230	3,336	230	3,336	230	
		Oil flow for attachments	l/min		27 / 30		27 / 30		27 / 30		
48	Noise level mean value at operator's ear	dB(A)		67		67		67			

1) Add 1.0" (25 mm) if truck is equipped with a triplex mast. Add an additional 0.9" (23 mm) if equipped with an integrated sideshifter, or an additional 2.4" (60 mm) if equipped with a hang-on sideshifter.

* Lift with standard two-stage mast (ZT)

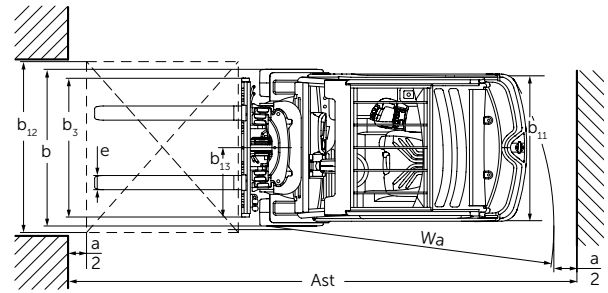
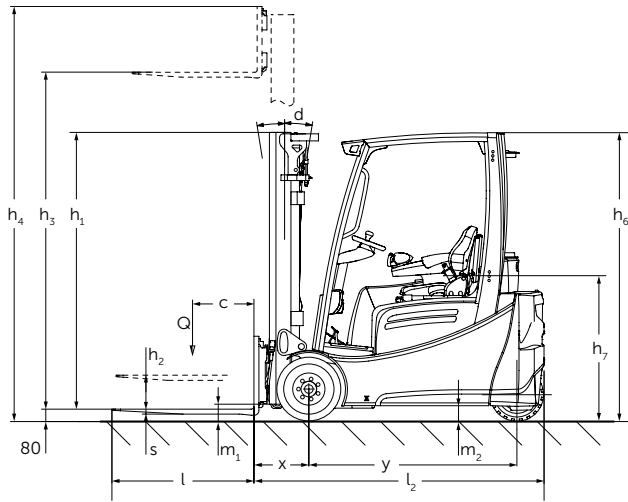
as of: 06/2021

		EFG 318 (4-wheel)		EFG 320 (4-wheel)		
1	lb	kg	3,490	1,800	3,880	2,000
2	in	mm	24	500	24	500
3			electric		electric	
4			solid pneumatic		solid pneumatic	
5			2x/2		2x/2	
11	in	mm	118	3,000	118	3,000
12	in	mm	5.9	150	5.9	150
	in	mm	1.6	40	1.6	40
	in	mm	3.1	80	3.9	100
13	in	mm	45.3	1,150	45.3	1,150
	in	mm	12.3/36	312/914	12.3/36	312/914
14	deg		7/7		7/7	
15	in	mm	82.6	2,098	82.6	2,098
	in	mm	44.1	1,120	44.1	1,120
16	in	mm	n/a		n/a	
17	in	mm	79	2,000	79	2,000
18	in	mm	36.2	920	36.2	920
19	in	mm	80.4	2,040	80.4	2,040
20	in	mm	166	4,216	166	4,216
21	in	mm	78.1	1,985	78.1	1,985
22	in	mm	13.4 ¹⁾	340	13.4 ¹⁾	340
23	in	mm	91.5 ¹⁾	2,325	91.5 ¹⁾	2,325
24	mph	km/h	9.3 / 10.6	15 / 17	9.3 / 10.6	15 / 17
	mph	km/h	9.9 / 10.6	16 / 17	9.9 / 10.6	16 / 17
25	fpm	m/s	72.8 / 90.6	0.37 / 0.46	65.0 / 88.6	0.33 / 0.45
	fpm	m/s	108.3 / 145.7	0.55 / 0.74	108.3 / 124.0	0.55 / 0.63
26	fpm	m/s	108.3	0.55	108.3	0.55
	fpm	m/s	108.3	0.55	108.3	0.55
28			25		24	
			35		35	
29	lb	kg	6,900	3,130	7,253	3,290
	lb	kg	9,782	4,437	10,479	4,753
30	lb	kg	1,087	493	1,184	537
	lb	kg	3,333	1,512	3,314	1,503
	lb	kg	3,567	1,618	3,940	1,787
31	in		200/50-10		200/50-10	
	in		16x6-8		16x6-8	
32	in	mm	59.4	1,508	59.4	1,508
33	in	mm	36.0	914	36.0	914
34	in	mm	32.7	830	32.7	830
35	in	mm	3.1	80	3.1	80
36	in	mm	3.9	100	3.9	100
37	type		electric / mechanical		electric / mechanical	
38	type		electromagnetic		electromagnetic	
39			lead - acid		lead - acid	
40	in		29.06 x 32.68 x 24.69		29.06 x 32.68 x 24.69	
41	Ah	kWh	600	27.8	600	27.8
42	lb	kg	2,147	974	2,147	974
43	HP	kW	6.0	4.5	6.0	4.5
44	HP	kW	15.4	11.5	15.4	11.5
45	type		Impulse / AC		Impulse / AC	
46	type		AC		AC	
47	psi	bar	3,336	230	3,336	230
	l/min		27 / 30		27 / 30	
48	dB(A)		67		67	

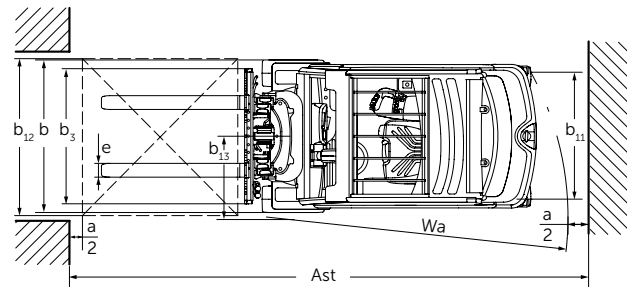
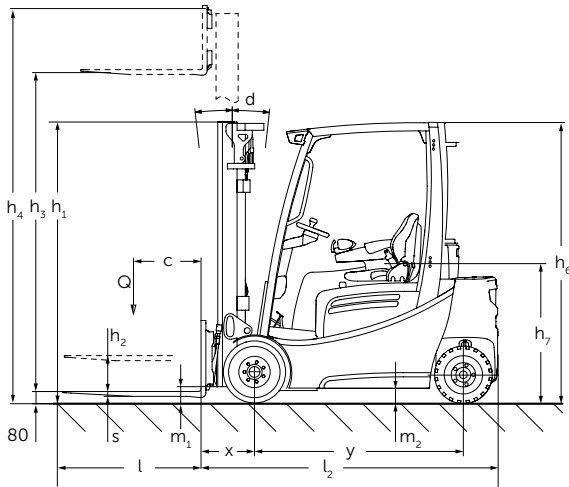


EFG 213 – 220 / 316k – 320

EFG 213-220



EFG 316k-320



Note: Equipping this model (these models) with a power source (e.g. Lithium-ion, Hydrogen Fuel cell, etc.) that has not been previously approved by the factory is considered a modification. Per OSHA 1910.178 and ANSI/ITSDF B56.1, please consult with your factory representative prior to installing any non-OEM power source that has not been previously approved.



JUNGHEINRICH

LION
technology

JUNGHEINRICH

JUNGHEINRICH

FORK

FORK

The Jungheinrich Advantage



Interactive display



Convenient controls



snapFIT Battery Extraction



Ergonomic operator compartment

Smooth Operation

The latest generation of Jungheinrich 3-phase AC motors will impress – providing quiet and precise operation at all speeds.

- High torque for faster operation cycles.
- Lifetime lubrication of main components.
- Fast lift speeds and more oil flow for attachments to provide maximum productivity
- Individually mounted drive motors for easier service and maintenance.
- Dust and water protection to IP54.

Control systems

High performance also requires a high degree of control. That's why the EFG series includes a comprehensive range of equipment for more secure operation:

- A variety of electronic controls available. Standard soloPILOT and optional multiPILOT and duoPILOT
- Deactivation of all hydraulic functions when the operator seat is not occupied.
- No roll-back on ramps or inclines with the automatic parking brake, even when the vehicle is switched off.
- Automatic progressive reduction of the driving speed during cornering with Jungheinrich curveCONTROL.

Intelligent electronics

- Smooth travel / reversing and precise positioning.
- Optimally adapts to any situation using five individual performance modes.
- Efficient communication between the truck and operator / technician with the highly informative, interactive display.

Superior operator comfort

The ergonomic operator compartment allows for relaxed and productive operation, particularly beneficial at the end of long shifts:

- Low-effort electric power steering allows for a smaller steering wheel and minimizes the number of revolutions necessary to make a turn.
- The elimination of hydraulic components in the leg area reduces steering-related noise and provides more leg room.
- Ability to tilt and telescope the steering column to suit the operator's needs.
- All essential controls are located on the highly-adjustable armrest, allowing for easy, intuitive operator control.
- Operators will experience an extremely comfortable ride on rough or uneven floors with the combination of solid pneumatic tires, a full-suspension seat and floating cabin.

Maintenance-free braking system

- Regenerative braking with the traction motor allows for smooth, energy efficient deceleration.
- Automatically engaging parking brake for secure stopping, even on ramps.
- Brake pedal operated, maintenance-free disc brakes allow for more aggressive stopping.

Lithium-ion Package Advantages

(available on EFG 213 / 216 / 218 and EFG 316 / 318 / 320)

- Fast charging eliminates the need for additional upfront cost of additional batteries
- Maintenance-free with no odors from gases or acidification
- Longer service life and lower maintenance than lead-acid batteries
- 5-year battery warranty included

Parts when you need them

Jungheinrich's Parts Fast or Parts Free Guarantee ensures next-business-day delivery by 5:00 p.m. of all Jungheinrich parts in the United States, or they're free, including freight. For customers in Canada and Mexico, the guarantee ensures shipping of parts within 24 hours from the time the order was placed by the dealer. See your local Jungheinrich dealer for program details.

* Programs may be subject to change without notice and may vary by region. Please ask your local Jungheinrich dealer for complete terms and conditions.

**The product shown may be different than the actual configuration based on market requirements.