

NISSAN
FORKLIFT

Platinum II Series

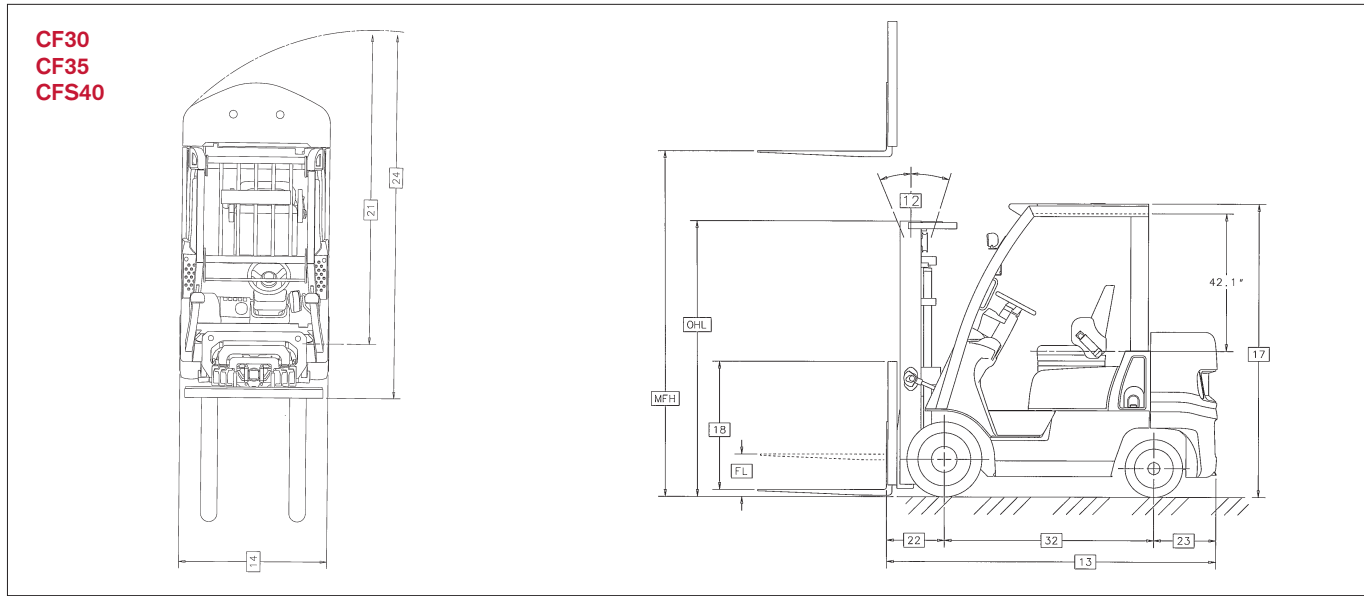
Cushion Tire / Engine Powered Models / LPG, Gasoline, Dual Fuel

3,000 – 8,000 lb.
Capacities



Platinum II cushion series

Dimensions



Mast Specifications & Rated Capacities

| | Mast Name | Maximum Fork Height | Overall Height Lowered | Free Lift | Tilt Angle Forward/Backward | Rated Capacity at 24" Load Center | | |
|-------------------------------|-----------|---------------------|------------------------|-----------|-----------------------------|-----------------------------------|------|-------|
| | | | | | | CF30 | CF35 | CFS40 |
| TWO STAGE (Wide view 2W) | 2W203T | 80 | 62.1 | 4 | 10/5 | 3000 | 3500 | 4000 |
| | 2W270 | 106 | 71.1 | 4 | 5/5 | 3000 | 3500 | 4000 |
| | 2W300 | 118 | 77 | 4 | 5/10 | 3000 | 3500 | 4000 |
| | 2W330 | 130 | 82.9 | 4 | 5/10 | 3000 | 3500 | 4000 |
| | 2W350 | 138 | 88.2 | 4 | 5/10 | 3000 | 3500 | 4000 |
| | 2W370 | 146 | 93.1 | 4 | 5/10 | 3000 | 3500 | 4000 |
| | 2W400 | 157 | 100.6 | 4 | 5/10 | 3000 | 3500 | 3900 |
| | 2W450 | 177 | 110.5 | 4 | 5/5 | 2900 | 2700 | 2950 |
| 2W500 | 197 | 120.3 | 4 | 5/5 | 1600 | 1400 | 1700 | |
| TWO STAGE (Full free 2F) | 2F270 | 105.5 | 72 | 47.4 | 5/10 | 3000 | 3500 | 4000 |
| | 2F300 | 117.5 | 78 | 53.4 | 5/10 | 3000 | 3500 | 4000 |
| | 2F330 | 129.5 | 84 | 59.4 | 5/10 | 3000 | 3500 | 4000 |
| | 2F350 | 137.5 | 88 | 63.4 | 5/10 | 3000 | 3500 | 4000 |
| | 2F370 | 145.5 | 92 | 67.4 | 5/10 | 3000 | 3500 | 3950 |
| | 2F400 | 157.5 | 98 | 73.4 | 5/10 | 2950 | 3450 | 3800 |
| THREE STAGE (Full free 3F) | 3F385 | 152 | 71.1 | 46.9 | 5/5 | 2950 | 3450 | 3900 |
| | 3F430 | 169 | 77 | 52.8 | 5/5 | 2850 | 3350 | 3800 |
| | 3F475 | 187 | 82.9 | 58.7 | 5/5 | 2750 | 3200 | 3650 |
| | 3F515 | 203 | 88.2 | 64 | 5/5 | 2650 | 3100 | 3200 |
| | 3F550 | 217 | 93.1 | 68.9 | 5/5 | 2550 | 2450 | 2000 |
| | 3F600 | 236 | 100.6 | 76.4 | 5/5 | 1650 | 1200 | 900 |
| | 3F650 | 256 | 110.5 | 86.2 | 5/5 | 900 | 500 | 200 |
| THREE STAGE Optiview (3V) | 3V360 | 142 | 71.1 | 47.6 | 5/5 | 2900 | 3400 | 3850 |
| | 3V405 | 159 | 77 | 53.5 | 5/5 | 2850 | 3350 | 3750 |
| | 3V450 | 177 | 82.9 | 59.4 | 5/5 | 2750 | 3200 | 3650 |
| | 3V490 | 193 | 88.2 | 64.8 | 5/5 | 2650 | 3100 | 3300 |
| | 3V525 | 207 | 93.1 | 69.7 | 5/5 | 2550 | 2450 | 2400 |
| | 3V575 | 226 | 100.6 | 77.2 | 5/5 | 1650 | 1200 | 1100 |
| | 3V633 | 249 | 110.5 | 87.0 | 5/5 | 900 | 800 | 600 |

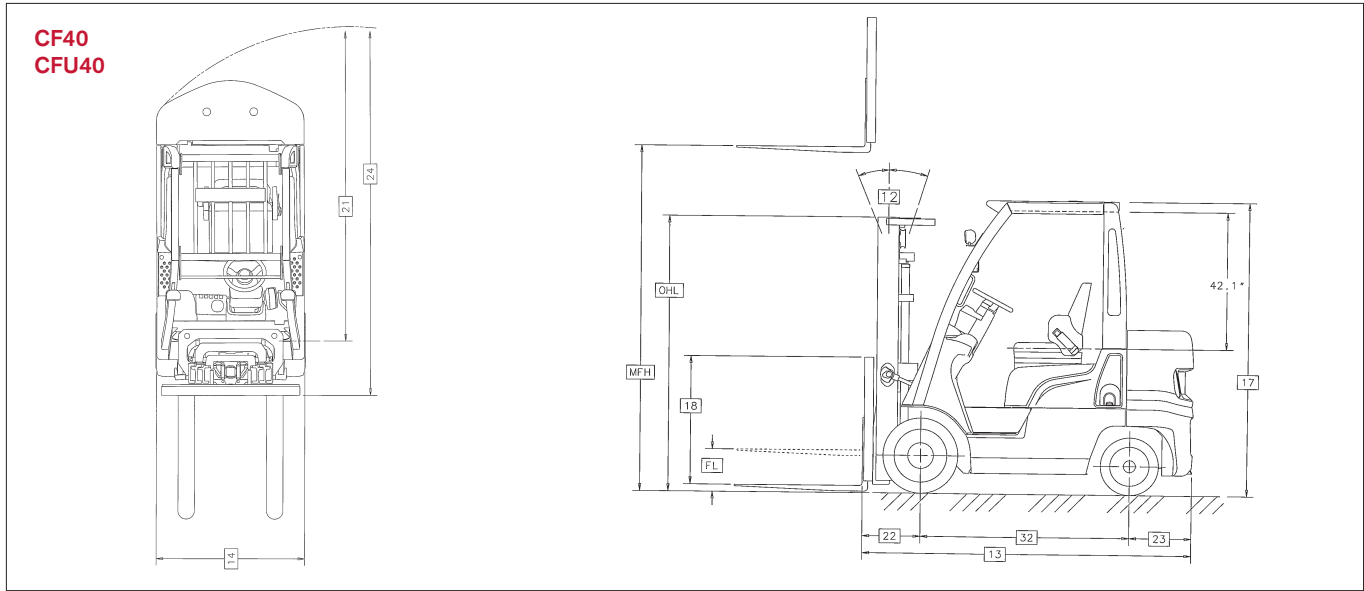
3,000 / 3,500 / 4,000 lb. capacities

Main Truck Specifications

| CHARACTERISTICS | | | | Nissan | Nissan | Nissan | |
|-----------------|----------------------------|------------------------------|--------------------------|---------------------|---------------------|---------------------|----|
| 1 | Manufacturer's Name | | | Nissan | Nissan | Nissan | 1 |
| 2 | Model | Model designation | | CF30 | CF35 | CFS40 | 2 |
| | | Long model code | | MCP1F1A15LV / DV | MCP1F1A18LV / DV | MCP1F1A20LV / DV | |
| 3 | Rated Load Capacity | | lb (kg) | 3000 (1500) | 3500 (1750) | 4000 (2000) | 3 |
| 4 | Load Center | Distance | in (mm) | 24 (500) | 24 (500) | 24 (500) | 4 |
| 5 | Power Type | | | LP - G/LP | LP - G/LP | LP - G/LP | 5 |
| 6 | Operator Orientation | | | Sit | Sit | Sit | 6 |
| 7 | Tire Type | Front & rear | | Cushion | Cushion | Cushion | 7 |
| 8 | Wheels | Number (x=driven) front/rear | | 2 x / 2 | 2 x / 2 | 2 x / 2 | 8 |
| 9 | Mast | Maximum fork height | in (mm) | 130 (3300) | 130 (3300) | 130 (3300) | 9 |
| | | Standard freelif | in (mm) | 4 (100) | 4 (100) | 4 (100) | 10 |
| 11 | Forks | Thickness & width | in (mm) | 1.5 x 4 (40x100) | 1.5 x 4 (40x100) | 1.5 x 4 (40x100) | 11 |
| | | Length (STD) | in (mm) | 42 (1070) | 42 (1070) | 42 (1070) | |
| 12 | Tilt Angle | Standard mast - fwd/back | degree | 5 / 10 | 5 / 10 | 5 / 10 | 12 |
| 13 | Overall Dimensions | Length (to face of forks) | in (mm) | 81.9 (2080) | 83.1 (2110) | 84.4 (2145) | 13 |
| | | Width (standard tires) | in (mm) | 38.2 (970) | 38.2 (970) | 38.2 (970) | 14 |
| | | Mast lowered (OHL) | in (mm) | 82.9 (2105) | 82.9 (2105) | 82.9 (2105) | 15 |
| | | Mast extended with LBR | in (mm) | 179.3 (4555) | 179.3 (4555) | 179.3 (4555) | 16 |
| | | Height - top of OHG | in (mm) | 81.1 (2060) | 81.1 (2060) | 81.1 (2060) | 17 |
| | | Height - top of standard LBR | in (mm) | 48 (1220) | 48 (1220) | 48 (1220) | 18 |
| | | Width - standard carriage | in (mm) | 32.4 (823) | 32.4 (823) | 32.4 (823) | 19 |
| 20 | Grade Clearance | Ramp breakover angle | tan (%) | 43 | 43 | 43 | 20 |
| | | Departure angle | tan (%) | 35 | 30 | 28 | |
| | | Approach angle | tan (%) | 26 | 26 | 26 | |
| 21 | Turning Radius | Minimum outside | in (mm) | 68.3 (1735) | 69.5 (1765) | 70.9 (1800) | 21 |
| 22 | Overhang | Front | in (mm) | 15.4 (390) | 15.4 (390) | 15.4 (390) | 22 |
| | | Rear | in (mm) | 19.7 (500) | 20.9 (530) | 22.2 (565) | 23 |
| 24 | Min Right Angle Stack | Add load length & clearance | in (mm) | 83.7 (2125) | 84.9 (2155) | 86.3 (2190) | 24 |
| 25 | Speeds Maximum | Travel - forward or reverse | mph (kmh) | 10.9 (17.5) | 10.9 (17.5) | 10.9 (17.5) | 25 |
| | | Lift - full/empty | fpm (mm/sec) | 122/127.9 (620/650) | 122/127.9 (620/650) | 122/127.9 (620/650) | 26 |
| | | Lowering - full/empty | fpm (mm/sec) | 98.4 (500) | 98.4 (500) | 98.4 (500) | |
| 27 | Drawbar Pull Maximum | LP - full | lb (kg) | 3417 (1550) | 3417 (1550) | 3417 (1550) | 27 |
| | | LP - empty | lb (kg) | 1543 (700) | 1543 (700) | 1543 (700) | |
| 28 | Gradeability Max (1.2 mph) | LP - full/empty | tan (%) | 38 / 20 | 38 / 18 | 38 / 16 | 28 |
| 29 | Truck Weight | Standard truck - no load | lb (kg) | 5980 (2710) | 6420 (2910) | 6830 (3100) | 29 |
| 30 | Weight Distribution | Front axle - empty | lb (kg) | 2200 (995) | 2045 (925) | 1880 (855) | 30 |
| | | Rear axle - empty | lb (kg) | 3780 (1715) | 4375 (1985) | 4950 (2245) | |
| | | Front axle - with rated load | lb (kg) | 7720 (3620) | 8485 (3985) | 9240 (4350) | |
| | | Rear axle - with rated load | lb (kg) | 1260 (590) | 1435 (675) | 1590 (750) | |
| 31 | Tire Size | Front | in | 18 x 6 x 12.13 | 18 x 6 x 12.13 | 18 x 6 x 12.13 | 31 |
| | | Rear | in | 14 x 5 x 10 | 14 x 5 x 10 | 14 x 5 x 10 | |
| 32 | Wheelbase | | in (mm) | 46.9 (1190) | 46.9 (1190) | 46.9 (1190) | 32 |
| 33 | Tread - Center of Tire | Front / rear | in (mm) | 32.3 (820) | 32.3 (820) | 32.3 (820) | 33 |
| | Headroom | SIP to bottom of OHG | in (mm) | 42.1 (1070) | 42.1 (1070) | 42.1 (1070) | |
| | Counterweight Height | | in (mm) | 45.3 (1150) | 45.1 (1145) | 45.1 (1145) | |
| | Step Height | | in (mm) | 17.1 (435) | 17.1 (435) | 17.1 (435) | |
| 34 | Ground Clearance | Under mast | in (mm) | 3.0 (75) | 3.0 (75) | 3.0 (75) | 34 |
| | | Under power unit | in (mm) | 2.6 (65) | 2.6 (65) | 2.6 (65) | |
| | | Under frame (WB center) | in (mm) | 4.3 (110) | 4.3 (110) | 4.3 (110) | |
| 35 | Service Brake | Type | | Drum and Shoe | Drum and Shoe | Drum and Shoe | 35 |
| 36 | Parking Brake | Type | | Hand | Hand | Hand | 36 |
| 37 | Steering | Type | | Full Hydraulic | Full Hydraulic | Full Hydraulic | 37 |
| 38 | Engine | Manufacturer/Model | | Nissan K21 | Nissan K21 | Nissan K21 | 38 |
| | Rated Output | SAE gross - LP | hp (kW) @ rpm | 55 (41) @ 2700 | 55 (41) @ 2700 | 55 (41) @ 2700 | |
| | Rated Torque | SAE gross - LP | ft-lb (Nm) @ rpm | 111.4 (151) @ 2000 | 111.4 (151) @ 2000 | 111.4 (151) @ 2000 | |
| | Displacement | | cu in (cm ³) | 126 (2065) | 126 (2065) | 126 (2065) | |
| 39 | Transmission | Type | | Automatic | Automatic | Automatic | 39 |
| | | Number speeds - fwd/rev | | 1/1 | 1/1 | 1/1 | |

Platinum II cushion series

Dimensions



Mast Specifications & Rated Capacities

| | Mast Name | Maximum Fork Height | Overall Height Lowered | Free Lift | Tilt Angle Forward/Backward | Rated Capacity at 24" Load Center |
|-------------------------------|-----------|---------------------|------------------------|-----------|-----------------------------|-----------------------------------|
| TWO STAGE (Wide view 2W) | 2W203T | 80 | 62.1 | 4 | 10/5 | 4000 |
| | 2W270 | 106 | 71.3 | 4.2 | 5/5 | 4000 |
| | 2W300 | 118 | 77.2 | 4.2 | 5/5 | 4000 |
| | 2W330 | 130 | 83.1 | 4.2 | 5/10 | 4000 |
| | 2W350 | 138 | 88.4 | 4.2 | 5/10 | 4000 |
| | 2W370 | 146 | 93.3 | 4.2 | 5/5 | 4000 |
| | 2W400 | 157 | 100.8 | 4.2 | 5/10 | 4000 |
| | 2W450 | 177 | 110.6 | 4.2 | 5/5 | 3850 |
| 2W500 | 197 | 120.5 | 4.2 | 5/5 | 3700 | |
| TWO STAGE (Full free 2F) | 2F270 | 105.5 | 72 | 47.4 | 5/10 | 4000 |
| | 2F300 | 117.5 | 78 | 53.4 | 5/10 | 4000 |
| | 2F330 | 129.5 | 84 | 59.4 | 5/10 | 4000 |
| | 2F350 | 137.5 | 88 | 63.4 | 5/10 | 4000 |
| | 2F370 | 145.5 | 92 | 67.4 | 5/10 | 4000 |
| | 2F400 | 157.5 | 98 | 73.4 | 5/10 | 3900 |
| THREE STAGE (Full free 3F) | 3F385 | 152 | 71.3 | 46.9 | 5/5 | 4000 |
| | 3F430 | 169 | 77.2 | 52.8 | 5/5 | 3850 |
| | 3F475 | 187 | 83.1 | 58.7 | 5/5 | 3700 |
| | 3F515 | 203 | 88.4 | 64.0 | 5/5 | 3600 |
| | 3F550 | 217 | 93.3 | 68.9 | 5/5 | 3400 |
| | 3F600 | 236 | 100.8 | 76.4 | 5/5 | 2700 |
| | 3F650 | 256 | 110.6 | 86.2 | 5/5 | 2000 |
| | 3F700 | 276 | 120.5 | 96.1 | 5/5 | 1000 |
| THREE STAGE Optview (3V) | 3V360 | 142 | 71.3 | 47.8 | 5/5 | 3850 |
| | 3V405 | 159 | 77.2 | 53.7 | 5/5 | 3850 |
| | 3V450 | 177 | 83.1 | 59.6 | 5/5 | 3700 |
| | 3V490 | 193 | 88.4 | 64.9 | 5/5 | 3600 |
| | 3V525 | 207 | 93.3 | 69.8 | 5/5 | 3400 |
| | 3V575 | 226 | 100.8 | 77.3 | 5/5 | 2700 |
| | 3V633 | 249 | 110.6 | 87.2 | 5/5 | 2200 |
| | 3V688 | 271 | 120.5 | 97.0 | 5/5 | 1200 |

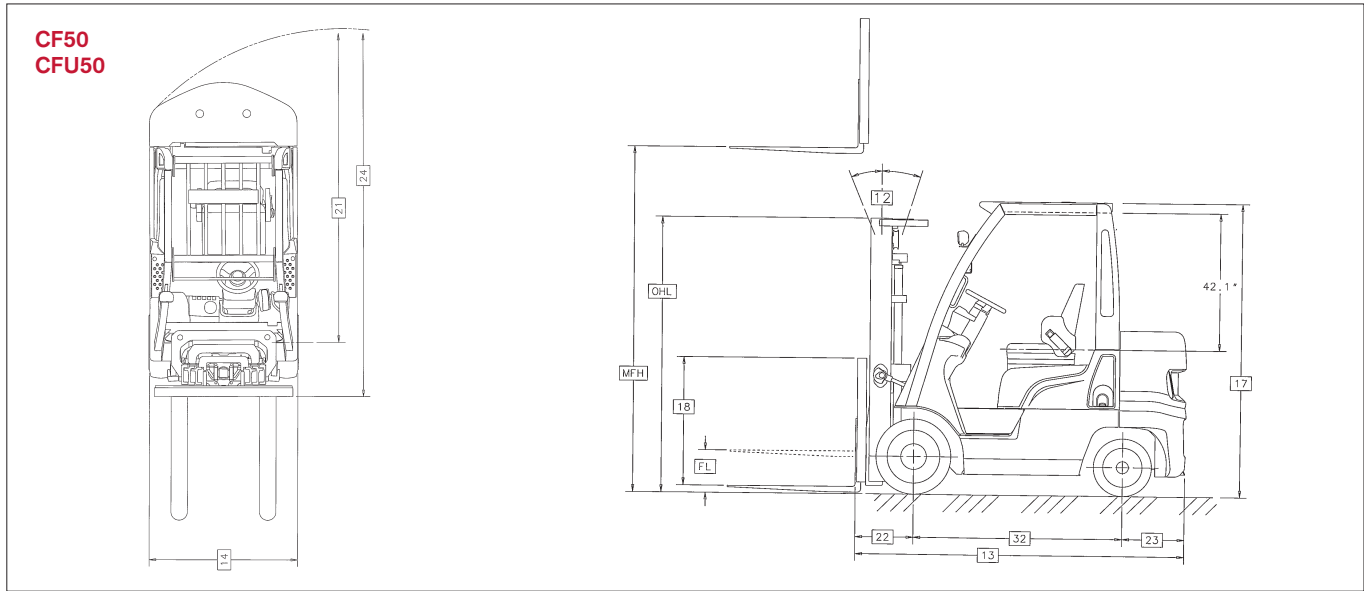
4,000 lb. capacity

Main Truck Specifications

| CHARACTERISTICS | | | | Nissan | Nissan | |
|-----------------|----------------------------|------------------------------|--------------------------|-----------------------|-----------------------|----|
| 1 | Manufacturer's Name | | | Nissan | Nissan | 1 |
| 2 | Model | Model designation | | CF40 | CFU40 | 2 |
| | | Long model code | | MCP1F2A20JV / LV / DV | MCU1F2A20LV / DV | |
| 3 | Rated Load Capacity | | lb (kg) | 4000 (2000) | 4000 (2000) | 3 |
| 4 | Load Center | Distance | in (mm) | 24 (500) | 24 (500) | 4 |
| 5 | Power Type | | | G - LP - G/LP | LP - G/LP | 5 |
| 6 | Operator Orientation | | | Sit | Sit | 6 |
| 7 | Tire Type | Front & rear | | Cushion | Cushion | 7 |
| 8 | Wheels | Number (x=driven) front/rear | | 2 x / 2 | 2 x / 2 | 8 |
| 9 | Mast | Maximum fork height | in (mm) | 130 (3300) | 130 (3300) | 9 |
| | | Standard freelif | in (mm) | 4.2 (105) | 4.2 (105) | 10 |
| 11 | Forks | Thickness & width | in (mm) | 1.5 x 4 (40x100) | 1.5 x 4 (40x100) | 11 |
| | | Length (STD) | in (mm) | 42 (1070) | 42 (1070) | |
| 12 | Tilt Angle | Standard mast - fwd/back | degree | 5/10 | 5/10 | 12 |
| 13 | Overall Dimensions | Length (to face of forks) | in (mm) | 89 (2260) | 89 (2260) | 13 |
| | | Width (standard tires) | in (mm) | 42.1 (1070) | 42.1 (1070) | 14 |
| | | Mast lowered (OHL) | in (mm) | 83.1 (2110) | 83.1 (2110) | 15 |
| | | Mast extended with LBR | in (mm) | 179.3 (4555) | 179.3 (4555) | 16 |
| | | Height - top of OHG | in (mm) | 82.1 (2085) | 82.1 (2085) | 17 |
| | | Height - top of standard LBR | in (mm) | 48 (1220) | 48 (1220) | 18 |
| | | Width - standard carriage | in (mm) | 36.2 (920) | 36.2 (920) | 19 |
| 20 | Grade Clearance | Ramp breakover angle | tan (%) | 42 | 42 | 20 |
| | | Departure angle | tan (%) | 34 | 34 | |
| | | Approach angle | tan (%) | 29 | 29 | |
| 21 | Turning Radius | Minimum outside | in (mm) | 76 (1930) | 76 (1930) | 21 |
| 22 | Overhang | Front | in (mm) | 16.1 (410) | 16.1 (410) | 22 |
| | | Rear | in (mm) | 17.7 (450) | 17.7 (450) | 23 |
| 24 | Min Right Angle Stack | Add load length & clearance | in (mm) | 92.1 (2340) | 92.1 (2340) | 24 |
| 25 | Speeds Maximum | Travel - forward or reverse | mph (kmh) | 10.6 (17) | 10.6 (17) | 25 |
| | | Lift - full/empty | fpm (mm/sec) | 122/127.9 (620/650) | 129.9/137.8 (660/700) | 26 |
| | | Lowering - full/empty | fpm (mm/sec) | 98.4 (500) | 98.4 (500) | |
| 27 | Drawbar Pull Maximum | LPG - full | lb (kg) | 3638 (1650) | 4189 (1900) | 27 |
| | | LPG - empty | lb (kg) | 1870 (850) | 1870 (850) | |
| 28 | Gradeability Max (1.2 mph) | LPG - full/empty | tan (%) | 33 / 21 | 39 / 21 | 28 |
| 29 | Truck Weight | Standard truck - no load | lb (kg) | 7130 (3235) | 7130 (3235) | 29 |
| 30 | Weight Distribution | Front axle - empty | lb (kg) | 2815 (1275) | 2815 (1275) | 30 |
| | | Rear axle - empty | lb (kg) | 4315 (1960) | 4315 (1960) | |
| | | Front axle - with rated load | lb (kg) | 9730 (4575) | 9730 (4575) | |
| | | Rear axle - with rated load | lb (kg) | 1400 (660) | 1400 (660) | |
| 31 | Tire Size | Front | in | 21 x 7 x 15 | 21 x 7 x 15 | 31 |
| | | Rear | in | 16.25 x 6 x 11.25 | 16.25 x 6 x 11.25 | |
| 32 | Wheelbase | | in (mm) | 55.1 (1400) | 55.1 (1400) | 32 |
| 33 | Tread - Center of Tire | Front / rear | in (mm) | 35 (890) | 35 (890) | 33 |
| | Headroom | SIP to bottom of OHG | in (mm) | 42.1 (1070) | 42.1 (1070) | |
| | Counterweight Height | | in (mm) | 45.9 (1165) | 45.9 (1165) | |
| | Step Height | | in (mm) | 16.5 (420) | 16.5 (420) | |
| 34 | Ground Clearance | Under mast | in (mm) | 3.1 (80) | 3.1 (80) | 34 |
| | | Under power unit | in (mm) | 4.1 (105) | 4.1 (105) | |
| | | Under frame (WB center) | in (mm) | 5.5 (140) | 5.5 (140) | |
| 35 | Service Brake | Type | | Drum and Shoe | Drum and Shoe | 35 |
| 36 | Parking Brake | Type | | Hand | Hand | 36 |
| 37 | Steering | Type | | Full Hydraulic | Full Hydraulic | 37 |
| 38 | Engine | Manufacturer / Model | | Nissan K21 | Nissan K25 | 38 |
| | Rated Output | SAE gross - LP | hp (kW) @ rpm | 55 (41) @ 2700 | 62.9 (46.9) @ 2700 | |
| | Rated Torque | SAE gross - LP | ft-lb (Nm) @ rpm | 111.4 (151) @ 2000 | 138.7 (188) @ 1600 | |
| | Displacement | | cu in (cm ³) | 126 (2065) | 151.8 (2488) | |
| 39 | Transmission | Type | | Automatic | Automatic | 39 |
| | | Number speeds - fwd/rev | | 1/1 | 1/1 | |

Platinum II cushion series

Dimensions



Mast Specifications & Rated Capacities

| | Mast Name | Maximum Fork Height | Overall Height Lowered | Free Lift | Tilt Angle Forward/Backward | Rated Capacity at 24" Load Center |
|-------------------------------|-----------|---------------------|------------------------|-----------|-----------------------------|-----------------------------------|
| TWO STAGE (Wide view 2W) | 2W203T | 80 | 62.1 | 4 | 10/5 | 5000 |
| | 2W270 | 106 | 71.3 | 4.2 | 5/5 | 5000 |
| | 2W300 | 118 | 77.2 | 4.2 | 5/5 | 5000 |
| | 2W330 | 130 | 83.1 | 4.2 | 5/10 | 5000 |
| | 2W350 | 138 | 88.4 | 4.2 | 5/10 | 5000 |
| | 2W370 | 146 | 93.3 | 4.2 | 5/5 | 5000 |
| | 2W400 | 157 | 100.8 | 4.2 | 5/10 | 5000 |
| | 2W450 | 177 | 110.6 | 4.2 | 5/5 | 4850 |
| | 2W500 | 197 | 120.5 | 4.2 | 5/5 | 4650 |
| TWO STAGE (Full free 2F) | 2F270 | 105.5 | 72 | 47.4 | 5/10 | 5000 |
| | 2F300 | 117.5 | 78 | 53.4 | 5/10 | 5000 |
| | 2F330 | 129.5 | 84 | 59.4 | 5/10 | 5000 |
| | 2F350 | 137.5 | 88 | 63.4 | 5/10 | 5000 |
| | 2F370 | 145.5 | 92 | 67.4 | 5/10 | 5000 |
| | 2F400 | 157.5 | 98 | 73.4 | 5/10 | 4950 |
| THREE STAGE (Full free 3F) | 3F385 | 152 | 71.3 | 46.9 | 5/5 | 5000 |
| | 3F430 | 169 | 77.2 | 52.8 | 5/5 | 4850 |
| | 3F475 | 187 | 83.1 | 58.7 | 5/5 | 4700 |
| | 3F515 | 203 | 88.4 | 64.0 | 5/5 | 4550 |
| | 3F550 | 217 | 93.3 | 68.9 | 5/5 | 4000 |
| | 3F600 | 236 | 100.8 | 76.4 | 5/5 | 3000 |
| | 3F650 | 256 | 110.6 | 86.2 | 5/5 | 2300 |
| | 3F700 | 276 | 120.5 | 96.1 | 5/5 | 1200 |
| THREE STAGE Optiview (3V) | 3V360 | 142 | 71.3 | 47.8 | 5/5 | 4800 |
| | 3V405 | 159 | 77.2 | 53.7 | 5/5 | 4750 |
| | 3V450 | 177 | 83.1 | 59.6 | 5/5 | 4700 |
| | 3V490 | 193 | 88.4 | 64.9 | 5/5 | 4550 |
| | 3V525 | 207 | 93.3 | 69.8 | 5/5 | 4000 |
| | 3V575 | 226 | 100.8 | 77.3 | 5/5 | 3000 |
| | 3V633 | 249 | 110.6 | 87.2 | 5/5 | 2300 |
| | 3V688 | 271 | 120.5 | 97.0 | 5/5 | 1300 |

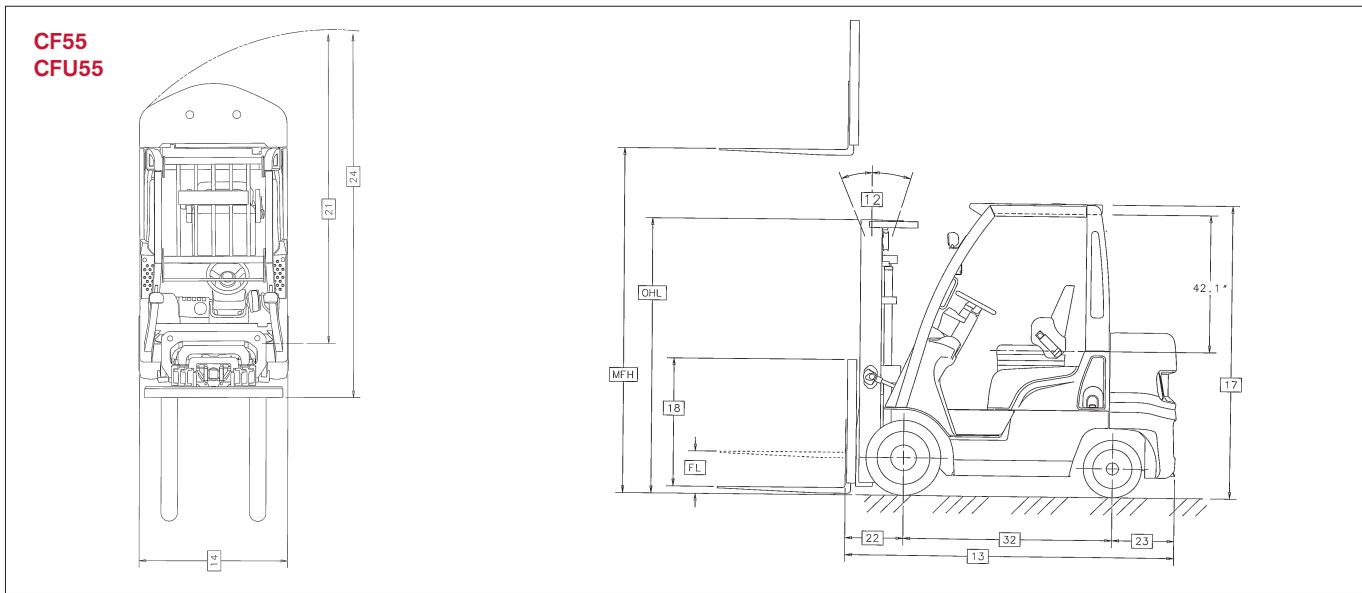
5,000 lb. capacity

Main Truck Specifications

| CHARACTERISTICS | | | | Nissan | Nissan | |
|-----------------|----------------------------|------------------------------|--------------------------|-----------------------|-----------------------|----|
| 1 | Manufacturer's Name | | | Nissan | Nissan | 1 |
| 2 | Model | Model designation | | CF50 | CFU50 | 2 |
| | | Long model code | | MCP1F2A25JV / LV / DV | MCU1F2A25LV / DV | |
| 3 | Rated Load Capacity | | lb (kg) | 5000 (2500) | 5000 (2500) | 3 |
| 4 | Load Center | Distance | in (mm) | 24 (500) | 24 (500) | 4 |
| 5 | Power Type | | | G - LP - G/LP | LP - G/LP | 5 |
| 6 | Operator Orientation | | | Sit | Sit | 6 |
| 7 | Tire Type | Front & rear | | Cushion | Cushion | 7 |
| 8 | Wheels | Number (x=driven) front/rear | | 2 x / 2 | 2 x / 2 | 8 |
| 9 | Mast | Maximum fork height | in (mm) | 130 (3300) | 130 (3300) | 9 |
| | | Standard freelif | in (mm) | 4.2 (105) | 4.2 (105) | 10 |
| 11 | Forks | Thickness & width | in (mm) | 1.5 x 4 (40x100) | 1.5 x 4 (40x100) | 11 |
| | | Length (STD) | in (mm) | 42 (1070) | 42 (1070) | |
| 12 | Tilt Angle | Standard mast - fwd/back | degree | 5/10 | 5/10 | 12 |
| 13 | Overall Dimensions | Length (to face of forks) | in (mm) | 91.3 (2320) | 91.3 (2320) | 13 |
| | | Width (standard tires) | in (mm) | 42.1 (1070) | 42.1 (1070) | 14 |
| | | Mast lowered (OHL) | in (mm) | 83.1 (2110) | 83.1 (2110) | 15 |
| | | Mast extended with LBR | in (mm) | 179.3 (4555) | 179.3 (4555) | 16 |
| | | Height - top of OHG | in (mm) | 82.1 (2085) | 82.1 (2085) | 17 |
| | | Height - top of standard LBR | in (mm) | 48 (1220) | 48 (1220) | 18 |
| | | Width - standard carriage | in (mm) | 36.2 (920) | 36.2 (920) | 19 |
| 20 | Grade Clearance | Ramp breakover angle | tan (%) | 42 | 42 | 20 |
| | | Departure angle | tan (%) | 30 | 30 | |
| | | Approach angle | tan (%) | 26 | 26 | |
| 21 | Turning Radius | Minimum outside | in (mm) | 78.3 (1990) | 78.3 (1990) | 21 |
| 22 | Overhang | Front | in (mm) | 16.1 (410) | 16.1 (410) | 22 |
| | | Rear | in (mm) | 20.1 (510) | 20.1 (510) | 23 |
| 24 | Min Right Angle Stack | Add load length & clearance | in (mm) | 94.4 (2400) | 94.4 (2400) | 24 |
| 25 | Speeds Maximum | Travel - forward or reverse | mph (kmh) | 10.6 (17) | 10.6 (17) | 25 |
| | | Lift - full/empty | fpm (mm/sec) | 118.1/127.9 (600/650) | 129.9/137.8 (660/700) | 26 |
| | | Lowering - full/empty | fpm (mm/sec) | 98.4 (500) | 98.4 (500) | |
| 27 | Drawbar Pull Maximum | LP - full | lb (kg) | 3638 (1650) | 4189 (1900) | 27 |
| | | LP - empty | lb (kg) | 1764 (800) | 1764 (800) | |
| 28 | Gradeability Max (1.2 mph) | LP - full/empty | tan (%) | 28 / 16 | 33 / 16 | 28 |
| 29 | Truck Weight | Standard truck - no load | lb (kg) | 7940 (3600) | 7940 (3600) | 29 |
| 30 | Weight Distribution | Front axle - empty | lb (kg) | 2590 (1175) | 2590 (1175) | 30 |
| | | Rear axle - empty | lb (kg) | 5350 (2425) | 5350 (2425) | |
| | | Front axle - with rated load | lb (kg) | 11375 (5360) | 11375 (5360) | |
| | | Rear axle - with rated load | lb (kg) | 1565 (740) | 1565 (740) | |
| 31 | Tire Size | Front | in | 21 x 7 x 15 | 21 x 7 x 15 | 31 |
| | | Rear | in | 16.25 x 6 x 11.25 | 16.25 x 6 x 11.25 | |
| 32 | Wheelbase | | in (mm) | 55.1 (1400) | 55.1 (1400) | 32 |
| 33 | Tread - Center of Tire | Front / rear | in (mm) | 35 (890) | 35 (890) | 33 |
| | Headroom | SIP to bottom of OHG | in (mm) | 42.1 (1070) | 42.1 (1070) | |
| | Counterweight Height | | in (mm) | 45.9 (1165) | 45.9 (1165) | |
| | Step Height | | in (mm) | 16.5 (420) | 16.5 (420) | |
| 34 | Ground Clearance | Under mast | in (mm) | 3.1 (80) | 3.1 (80) | 34 |
| | | Under power unit | in (mm) | 4.1 (105) | 4.1 (105) | |
| | | Under frame (WB center) | in (mm) | 5.5 (140) | 5.5 (140) | |
| 35 | Service Brake | Type | | Drum and Shoe | Drum and Shoe | 35 |
| 36 | Parking Brake | Type | | Hand | Hand | 36 |
| 37 | Steering | Type | | Full Hydraulic | Full Hydraulic | 37 |
| 38 | Engine | Manufacturer / Model | | Nissan K21 | Nissan K25 | 38 |
| | Rated Output | SAE gross - LP | hp (kW) @ rpm | 55 (41) @ 2700 | 62.9 (46.9) @ 2700 | |
| | Rated Torque | SAE gross - LP | ft-lb (Nm) @ rpm | 111.4 (151) @ 2000 | 138.7 (188) @ 1600 | |
| | Displacement | | cu in (cm ³) | 126 (2065) | 151.8 (2488) | |
| 39 | Transmission | Type | | Automatic | Automatic | 39 |
| | | Number speeds - fwd/rev | | 1/1 | 1/1 | |

Platinum II cushion series

Dimensions



Mast Specifications & Rated Capacities

| | Mast Name | Maximum Fork Height | Overall Height Lowered | Free Lift | Tilt Angle Forward/Backward | Rated Capacity at 24" Load Center |
|-------------------------------|-----------|---------------------|------------------------|-----------|-----------------------------|-----------------------------------|
| TWO STAGE (Wide view 2H) | 2H270 | 106 | 70.9 | 6.7 | 5/10 | 5500 |
| | 2H300 | 118 | 76.8 | 6.7 | 5/10 | 5500 |
| | 2H330 | 130 | 82.7 | 6.7 | 5/10 | 5500 |
| | 2H350 | 138 | 88 | 6.7 | 5/10 | 5500 |
| | 2H370 | 146 | 92.9 | 10.2 | 5/10 | 5500 |
| | 2H400 | 157 | 100.4 | 10.2 | 5/10 | 5500 |
| | 2H450 | 177 | 110.2 | 10.2 | 5/5 | 5300 |
| 2H500 | 197 | 120.1 | 10.2 | 5/5 | 5100 | |
| TWO STAGE (Full free 2F) | 2F270 | 105.5 | 71.7 | 45.3 | 5/10 | 5500 |
| | 2F300 | 117.5 | 77.7 | 51.3 | 5/10 | 5500 |
| | 2F330 | 129.5 | 83.7 | 57.3 | 5/10 | 5500 |
| | 2F350 | 137.5 | 87.7 | 61.3 | 5/10 | 5500 |
| | 2F370 | 145.5 | 91.7 | 65.3 | 5/10 | 5500 |
| | 2F400 | 157.5 | 97.7 | 71.3 | 5/10 | 5400 |
| THREE STAGE (Full free 3F) | 3F385 | 152 | 76.7 | 56.1 | 5/5 | 5500 |
| | 3F430 | 169 | 82.6 | 62 | 5/5 | 5300 |
| | 3F475 | 187 | 87.9 | 67.3 | 5/5 | 5150 |
| | 3F515 | 203 | 92.8 | 72.2 | 5/5 | 5000 |
| | 3F550 | 217 | 100.3 | 79.7 | 5/5 | 4400 |
| | 3F600 | 236 | 110.1 | 89.6 | 5/5 | 3200 |
| | 3F650 | 256 | 120 | 99.4 | 5/5 | 2300 |
| 3F700 | 276 | 129.8 | 109.3 | 5/5 | 1100 | |
| THREE STAGE Optiview (3V) | 3V385 | 152 | 76.9 | 49.4 | 5/5 | 5250 |
| | 3V430 | 169 | 82.8 | 55.3 | 5/5 | 5200 |
| | 3V470 | 185 | 88.1 | 61.2 | 5/5 | 5150 |
| | 3V505 | 199 | 93.0 | 66.5 | 5/5 | 5000 |
| | 3V555 | 219 | 100.5 | 71.5 | 5/5 | 4400 |
| | 3V600 | 236 | 110.3 | 78.9 | 5/5 | 3000 |
| | 3V650 | 256 | 120.2 | 88.8 | 5/5 | 2200 |
| 3V700 | 276 | 130.0 | 98.6 | 5/5 | 1150 | |

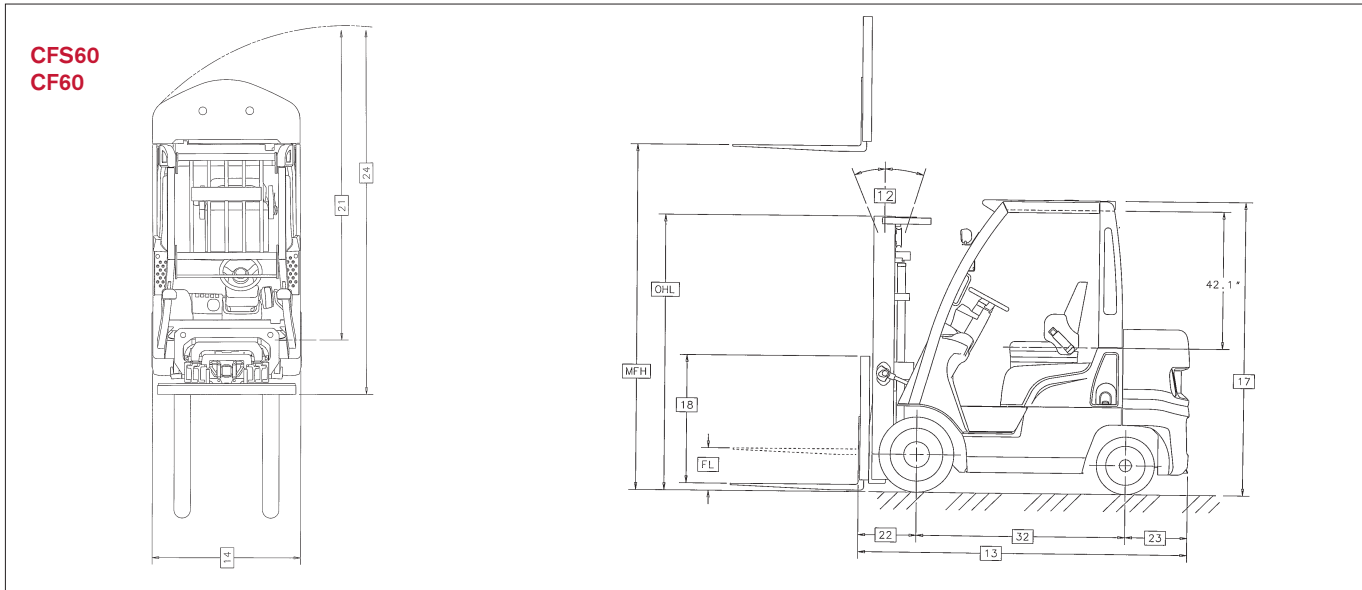
5,500 lb. capacity

Main Truck Specifications

| CHARACTERISTICS | | | | Nissan | Nissan | |
|-----------------|----------------------------|------------------------------|------------------|-----------------------|-----------------------|----|
| 1 | Manufacturer's Name | | | Nissan | Nissan | 1 |
| 2 | Model | Model designation | | CF55 | CFU55 | 2 |
| | | Long model code | | MCP1F2A28JV / LV / DV | MCU1F2A28LV / DV | |
| 3 | Rated Load Capacity | | lb (kg) | 5500 (2750) | 5500 (2750) | 3 |
| 4 | Load Center | Distance | in (mm) | 24 (500) | 24 (500) | 4 |
| 5 | Power Type | | | G - LP - G/LP | LP - G/LP | 5 |
| 6 | Operator Orientation | | | Sit | Sit | 6 |
| 7 | Tire Type | Front & rear | | Cushion | Cushion | 7 |
| 8 | Wheels | Number (x=driven) front/rear | | 2 x / 2 | 2 x / 2 | 8 |
| 9 | Mast | Maximum fork height | in (mm) | 130 (3300) | 130 (3300) | 9 |
| | | Standard freelif | in (mm) | 6.7 (170) | 6.7 (170) | 10 |
| 11 | Forks | Thickness & width | in (mm) | 1.5 x 4 (40x100) | 1.5 x 4 (40x100) | 11 |
| | | Length (STD) | in (mm) | 42 (1070) | 42 (1070) | |
| 12 | Tilt Angle | Standard mast - fwd/back | degree | 5/10 | 5/10 | 12 |
| 13 | Overall Dimensions | Length (to face of forks) | in (mm) | 93.9 (2385) | 93.9 (2385) | 13 |
| | | Width (standard tires) | in (mm) | 43.1(1095) | 43.1(1095) | 14 |
| | | Mast lowered (OHL) | in (mm) | 82.7 (2100) | 82.7 (2100) | 15 |
| | | Mast extended with LBR | in (mm) | 179.3 (4555) | 179.3 (4555) | 16 |
| | | Height - top of OHG | in (mm) | 82.1 (2085) | 82.1 (2085) | 17 |
| | | Height - top of standard LBR | in (mm) | 48 (1220) | 48 (1220) | 18 |
| | | Width - standard carriage | in (mm) | 40.2 (1020) | 40.2 (1020) | 19 |
| 20 | Grade Clearance | Ramp breakover angle | tan (%) | 42 | 42 | 20 |
| | | Departure angle | tan (%) | 28 | 28 | |
| | | Approach angle | tan (%) | 26 | 26 | |
| 21 | Turning Radius | Minimum outside | in (mm) | 79.5 (2020) | 79.5 (2020) | 21 |
| 22 | Overhang | Front | in (mm) | 17.3 (440) | 17.3 (440) | 22 |
| | | Rear | in (mm) | 21.5 (545) | 21.5 (545) | 23 |
| 24 | Min Right Angle Stack | Add load length & clearance | in (mm) | 96.8 (2460) | 96.8 (2460) | 24 |
| 25 | Speeds Maximum | Travel - forward or reverse | mph (kmh) | 10.6 (17) | 10.6 (17) | 25 |
| | | Lift - full/empty | fpm (mm/sec) | 94.5/102.4 (480/520) | 104.3/110.2 (530/560) | 26 |
| | | Lowering - full/empty | fpm (mm/sec) | 98.4 (500) | 98.4 (500) | |
| 27 | Drawbar Pull Maximum | LP - full | lb (kg) | 3638 (1650) | 4189 (1900) | 27 |
| | | LP - empty | lb (kg) | 1653 (750) | 1653 (750) | |
| 28 | Gradeability Max (1.2 mph) | LP - full/empty | tan (%) | 27 / 16 | 32 / 16 | 28 |
| 29 | Truck Weight | Standard truck - no load | lb (kg) | 8860 (4015) | 8860 (4015) | 29 |
| 30 | Weight Distribution | Front axle - empty | lb (kg) | 2705 (1225) | 2705 (1225) | 30 |
| | | Rear axle - empty | lb (kg) | 6155 (2790) | 6155 (2790) | |
| | | Front axle - with rated load | lb (kg) | 12355 (5820) | 12355 (5820) | |
| | | Rear axle - with rated load | lb (kg) | 2005 (945) | 2005 (945) | |
| 31 | Tire Size | Front | in | 21 x 8 x 15 | 21 x 8 x 15 | 31 |
| | | Rear | in | 16.25 x 6 x 11.25 | 16.25 x 6 x 11.25 | |
| 32 | Wheelbase | | in (mm) | 55.1 (1400) | 55.1 (1400) | 32 |
| 33 | Tread - Center of Tire | Front / rear | in (mm) | 35.8/35 (910/890) | 35.8/35 (910/890) | 33 |
| | Headroom | SIP to bottom of OHG | in (mm) | 42.1 (1070) | 42.1 (1070) | |
| | Counterweight Height | | in (mm) | 45.7 (1160) | 45.7 (1160) | |
| | Step Height | | in (mm) | 16.5 (420) | 16.5 (420) | |
| 34 | Ground Clearance | Under mast | in (mm) | 2.8 (70) | 2.8 (70) | 34 |
| | | Under power unit | in (mm) | 3.5 (90) | 3.5 (90) | |
| | | Under frame (WB center) | in (mm) | 5.5 (140) | 5.5 (140) | |
| 35 | Service Brake | Type | | Drum and Shoe | Drum and Shoe | 35 |
| 36 | Parking Brake | Type | | Hand | Hand | 36 |
| 37 | Steering | Type | | Full Hydraulic | Full Hydraulic | 37 |
| 38 | Engine | Manufacturer / Model | | Nissan K21 | Nissan K25 | 38 |
| | Rated Output | SAE gross - LP | hp (kW) @ rpm | 55 (41) @ 2700 | 62.9 (46.9) @ 2700 | |
| | Rated Torque | SAE gross - LP | ft-lb (Nm) @ rpm | 111.4 (151) @ 2000 | 138.7 (188) @ 1600 | |
| | Displacement | | cu in (cm³) | 126 (2065) | 151.8 (2488) | |
| 39 | Transmission | Type | | Automatic | Automatic | 39 |
| | | Number speeds - fwd/rev | | 1/1 | 1/1 | |

Platinum II cushion

Dimensions



Mast Specifications & Rated Capacities

| | Mast Name | Maximum Fork Height | Overall Height Lowered | | Free Lift | Tilt Angle Forward/Backward | Rated Capacity at 24" Load Center | |
|-------------------------------|-----------|---------------------|------------------------|-------|-----------|-----------------------------|-----------------------------------|------|
| | | | CFS60 | CF60 | | | CFS60 | CF60 |
| TWO STAGE (Wide view 2H) | 2H270 | 106 | 70.9 | 71.3 | 7.1 | 5/10 | 6000 | 6000 |
| | 2H300 | 118 | 76.8 | 77.2 | 7.1 | 5/10 | 6000 | 6000 |
| | 2H330 | 130 | 82.7 | 83.1 | 7.1 | 5/10 | 6000 | 6000 |
| | 2H350 | 138 | 88 | 88.4 | 7.1 | 5/10 | 6000 | 6000 |
| | 2H370 | 146 | 92.9 | 93.3 | 10.6 | 5/10 | 6000 | 6000 |
| | 2H400 | 157 | 100.4 | 100.8 | 10.6 | 5/10 | 6000 | 6000 |
| | 2H450 | 177 | 110.2 | 110.6 | 10.6 | 5/5 | 5800 | 5850 |
| | 2H500 | 197 | 120.1 | 120.5 | 10.6 | 5/5 | 5550 | 5650 |
| TWO STAGE (Full free 2F) | 2F270 | 105.5 | 71.7 | 72 | 45.7 | 5/10 | 6000 | 6000 |
| | 2F300 | 117.5 | 77.7 | 78 | 51.7 | 5/10 | 6000 | 6000 |
| | 2F330 | 129.5 | 83.7 | 84 | 57.7 | 5/10 | 6000 | 6000 |
| | 2F350 | 137.5 | 87.7 | 88 | 61.7 | 5/10 | 6000 | 6000 |
| | 2F370 | 145.5 | 91.7 | 92 | 65.7 | 5/10 | 6000 | 6000 |
| | 2F400 | 157.5 | 97.7 | 98 | 71.7 | 5/10 | 5950 | 6000 |
| THREE STAGE (Full free 3F) | 3F385 | 152 | 76.7 | 77.2 | 56.1 | 5/5 | 6000 | 6000 |
| | 3F430 | 169 | 82.6 | 83.1 | 62 | 5/5 | 5800 | 5800 |
| | 3F475 | 187 | 87.9 | 88.4 | 67.3 | 5/5 | 5650 | 5650 |
| | 3F515 | 203 | 92.8 | 93.3 | 72.2 | 5/5 | 5450 | 5500 |
| | 3F550 | 217 | 100.3 | 100.8 | 79.7 | 5/5 | 4650 | 4750 |
| | 3F600 | 236 | 110.1 | 110.6 | 89.6 | 5/5 | 3400 | 3500 |
| | 3F650 | 256 | 120 | 120.5 | 99.4 | 5/5 | 2300 | 2600 |
| | 3F700 | 276 | 129.8 | 130.3 | 109.3 | 5/5 | 600 | 1000 |
| THREE STAGE Optiview (3V) | 3V385 | 152 | 76.9 | 77.2 | 49.4 | 5/5 | 5600 | 5600 |
| | 3V430 | 169 | 82.8 | 83.1 | 55.3 | 5/5 | 5550 | 5550 |
| | 3V470 | 185 | 88.1 | 88.4 | 61.2 | 5/5 | 5450 | 5450 |
| | 3V505 | 199 | 93 | 93.3 | 66.5 | 5/5 | 5300 | 5300 |
| | 3V555 | 219 | 100.5 | 100.8 | 71.5 | 5/5 | 4500 | 4500 |
| | 3V600 | 236 | 110.3 | 110.6 | 78.9 | 5/5 | 3200 | 3300 |
| | 3V650 | 256 | 120.2 | 120.5 | 88.8 | 5/5 | 1600 | 1800 |
| | 3V700 | 276 | 130 | 130.3 | 98.6 | 5/5 | 700 | 1000 |

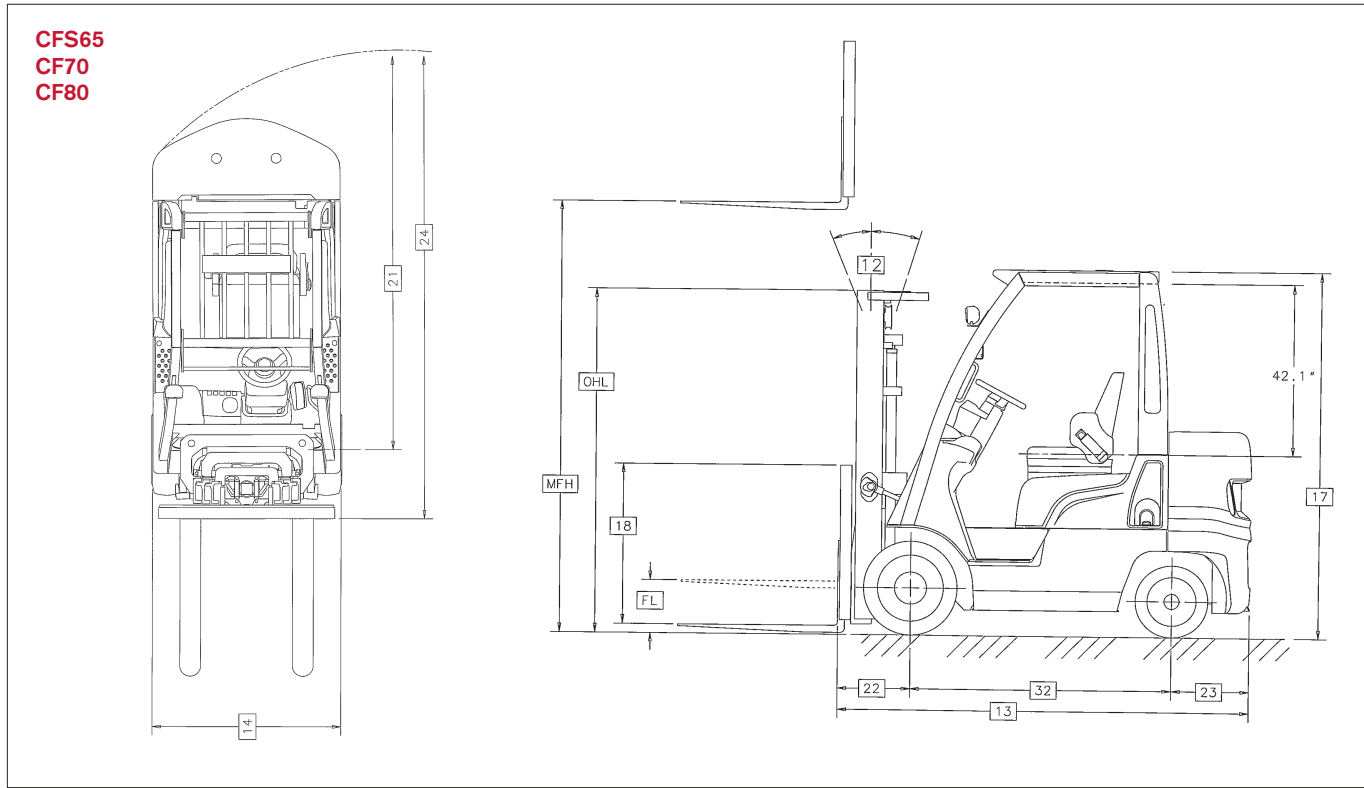
6,000 lb. capacity

Main Truck Specifications

| | | | | Nissan | Nissan | | | |
|-------------------------|----------------------------|-----------------------------|------------------------------|------------------|--------------------------|-----------------------|--------------------------------|----|
| CHARACTERISTICS | 1 | Manufacturer's Name | | Nissan | Nissan | 1 | | |
| | 2 | Model | Model designation | CFS60 | CF60 | 2 | | |
| | | | Long model code | MCU1F2A30LV / DV | MCUG1F2F30LV / DV | | | |
| | 3 | Rated Load Capacity | | lb (kg) | 6000 (3000) | 6000 (3000) | 3 | |
| | 4 | Load Center | Distance | | in (mm) | 24 (500) | 24 (500) | 4 |
| | 5 | Power Type | | | LP - G/LP | LP - G/LP | 5 | |
| 6 | Operator Orientation | | | Sit | Sit | 6 | | |
| DIMENSIONS | 7 | Tire Type | Front & rear | | Cushion | Cushion | 7 | |
| | 8 | Wheels | Number (x=driven) front/rear | | 2 x / 2 | 2 x /2 | 8 | |
| | 9 | Mast | Maximum fork height | | in (mm) | 130 (3300) | 130 (3300) | 9 |
| | | | Standard freelif | | in (mm) | 7.1 (180) | 7.1 (180) | 10 |
| | 11 | Forks | Thickness & width | | in (mm) | 2 x 5 (50x125) | 2 x 5 (50x125) | 11 |
| | | | Length (STD) | | in (mm) | 42 (1070) | 42 (1070) | |
| | 12 | Tilt Angle | Standard mast - fwd/back | | degree | 5/10 | 5/10 | 12 |
| | 13 | Overall Dimensions | Length (to face of forks) | | in (mm) | 95.3 (2420) | 96.5 (2450) | 13 |
| | | | Width (standard tires) | | in (mm) | 43.1 (1095) | 43.9 (1115) | 14 |
| | | | Mast lowered (OHL) | | in (mm) | 82.7 (2100) | 83.1 (2110) | 15 |
| | | | Mast extended with LBR | | in (mm) | 179.3 (4555) | 175 (4445) | 16 |
| | | | Height - top of OHG | | in (mm) | 82.1 (2085) | 82.3 (2090) | 17 |
| | | | Height - top of standard LBR | | in (mm) | 48 (1220) | 48 (1220) | 18 |
| | | | Width - standard carriage | | in (mm) | 40.2 (1020) | 40.2 (1020) | 19 |
| | 20 | Grade Clearance | Ramp breakover angle | | tan (%) | 42 | 44 | 20 |
| | | | Departure angle | | tan (%) | 27 | 35 | |
| | | | Approach angle | | tan (%) | 26 | 24 | |
| | 21 | Turning Radius | Minimum outside | | in (mm) | 80.7 (2050) | 80.9 (2055) | 21 |
| | 22 | Overhang | Front | | in (mm) | 17.7 (450) | 17.1 (435) | 22 |
| Rear | | | | in (mm) | 22.4 (570) | 20.1 (510) | 23 | |
| 24 | Min Right Angle Stack | Add load length & clearance | | in (mm) | 98.4 (2500) | 98.0 (2490) | 24 | |
| PERFORMANCE | 25 | Speeds Maximum | Travel - forward or reverse | | mph (kmh) | 10.6 (17) | 11.5 (18.5) fwd / 9.9 (16) rev | 25 |
| | | | Lift - full/empty | | fpm (mm/sec) | 104.3/110.2 (530/560) | 104.3/110.2 (530/560) | 26 |
| | | | Lowering - full/empty | | fpm (mm/sec) | 98.4 (500) | 98.4 (500) | |
| | 27 | Drawbar Pull Maximum | LP - full load | | lb (kg) | 4189 (1900) | 3009 (1365) | 27 |
| LP - empty | | | | lb (kg) | 1764 (800) | 2535 (1150) | | |
| 28 | Gradeability Max (1.2 mph) | LP - full/empty | | tan (%) | 28 / 16 | 44 / 18 | 28 | |
| WEIGHT | 29 | Truck Weight | Standard truck - no load | | lb (kg) | 9350 (4240) | 9610 (4360) | 29 |
| | 30 | Weight Distribution | Front axle - empty | | lb (kg) | 2790 (1265) | 3450 (1565) | 30 |
| | | | Rear axle - empty | | lb (kg) | 6560 (2975) | 6160 (2795) | |
| | | | Front axle - with rated load | | lb (kg) | 13360 (6300) | 13715 (6465) | |
| | | | Rear axle - with rated load | | lb (kg) | 1990 (940) | 1895 (895) | |
| CHASSIS & WHEELS | 31 | Tire Size | Front | | in | 21 x 8 x 15 | 22 x 8 x 16 | 31 |
| | | | Rear | | in | 16.25 x 6 x 11.25 | 18 x 6 x 12.12 | |
| | 32 | Wheelbase | | in (mm) | 55.1 (1400) | 59.1 (1500) | 32 | |
| | 33 | Tread - Center of Tire | Front | | in (mm) | 35.8 (910) | 35.8 (910) | 33 |
| | | | Rear | | in (mm) | 35 (890) | 36.6 (930) | |
| | | Headroom | SIP to bottom of OHG | | in (mm) | 42.1 (1070) | 42.1 (1070) | |
| | | Counterweight Height | | | in (mm) | 45.7 (1160) | 46.5 (1180) | |
| | | Step Height | | | in (mm) | 16.5 (420) | 17.1 (435) | |
| | 34 | Ground Clearance | Under mast | | in (mm) | 2.8 (70) | 3.1 (80) | 34 |
| | | | Under power unit | | in (mm) | 3.5 (90) | 3.7 (95) | |
| | | | Under frame (WB center) | | in (mm) | 5.5 (140) | 5.7 (145) | |
| 35 | Service Brake | Type | | | Drum and Shoe | Drum and Shoe | 35 | |
| 36 | Parking Brake | Type | | | Hand | Hand | 36 | |
| 37 | Steering | Type | | | Full Hydraulic | Full Hydraulic | 37 | |
| 38 | Engine | Model | | | Nissan K25 | Nissan K25 | 38 | |
| DRIVE LINE | | Rated Output | SAE gross - LP | | hp (kW) @ rpm | 62.9 (46.9) @ 2700 | 62.9 (46.9) @ 2700 | |
| | | Rated Torque | SAE gross - LP | | ft-lb (Nm) @ rpm | 138.7 (188) @ 1600 | 138.7 (188) @ 1600 | |
| | | Displacement | | | cu in (cm ³) | 151.8 (2488) | 151.8 (2488) | |
| | 39 | Transmission | Type | | | Automatic | Automatic | 39 |
| Number speeds - fwd/rev | | | | | 1/1 | 2/1 | | |

Platinum II cushion series

Dimensions



Mast Specifications & Rated Capacities

| | Mast Name | Maximum Fork Height | Overall Height Lowered | | Free Lift | Tilt Angle Forward/Backward | Rated Capacity at 24" Load Center | | |
|---|-----------|---------------------|------------------------|-----------|-----------|-----------------------------|-----------------------------------|------|------|
| | | | CFS65 | CF70/CF80 | | | CFS65 | CF70 | CF80 |
| TWO STAGE (Wide view 2H) | 2H280 | 110 | 76.8 | 77.2 | 7.1 | 5/10 | 6500 | 7000 | 8000 |
| | 2H310 | 122 | 82.7 | 83.1 | 7.1 | 5/10 | 6500 | 7000 | 8000 |
| | 2H350 | 138 | 92.9 | 93.3 | 10.6 | 5/10 | 6500 | 7000 | 8000 |
| | 2H380 | 150 | 100.4 | 100.8 | 10.6 | 5/10 | 6500 | 7000 | 8000 |
| | 2H430 | 169 | 110.2 | 110.6 | 10.6 | 5/5 | 6500 | 6800 | 7800 |
| TWO STAGE (Full free 2F) | 2F280 | 110 | 76.9 | 77.2 | 50 | 5/10 | 6500 | 7000 | 8000 |
| | 2F310 | 122 | 82.8 | 83.1 | 55.9 | 5/10 | 6500 | 7000 | 8000 |
| | 2F350 | 138 | 93 | 93.3 | 66.1 | 5/10 | 6500 | 7000 | 8000 |
| | 2F380 | 150 | 100.5 | 100.8 | 73.6 | 5/10 | 6500 | 7000 | 7950 |
| THREE STAGE (Full free 3F) | 3F355 | 140 | 70.9 | 71.3 | 45.1 | 5/5 | 6500 | 6850 | 7850 |
| | 3F400 | 157 | 76.9 | 77.2 | 51 | 5/5 | 6300 | 6750 | 7750 |
| | 3F445 | 175 | 82.8 | 83.1 | 56.9 | 5/5 | 6100 | 6600 | 7550 |
| | 3F485 | 191 | 88.1 | 88.4 | 62.2 | 5/5 | 5900 | 6450 | 7350 |
| | 3F520 | 205 | 93 | 93.3 | 67.1 | 5/5 | 5200 | 6300 | 7200 |
| | 3F570 | 224 | 100.5 | 100.8 | 74.6 | 5/5 | 3900 | 4900 | 5600 |
| | 3F620 | 244 | 110.3 | 110.6 | 84.4 | 5/5 | 2300 | 2700 | 2800 |
| 3F670 | 264 | 120.2 | 120.5 | 94.3 | 5/5 | 600 | 1100 | 1200 | |
| THREE STAGE Optiview (3V) | 3V385 | 152 | 76.9 | 77.2 | 45.7 | 5/5 | 6250 | 6400 | 7300 |
| | 3V430 | 169 | 82.8 | 83.1 | 51.6 | 5/5 | 6150 | 6400 | 7300 |
| | 3V470 | 185 | 88.1 | 88.4 | 57.5 | 5/5 | 6100 | 6350 | 7250 |
| | 3V505 | 199 | 93 | 93.3 | 62.8 | 5/5 | 5900 | 6200 | 7100 |
| | 3V555 | 219 | 100.5 | 100.8 | 67.7 | 5/5 | 4900 | 4900 | 5600 |
| | 3V600 | 236 | 110.3 | 110.6 | 75.2 | 5/5 | 2650 | 2700 | 2800 |
| | 3V650 | 256 | 120.2 | 120.5 | 85 | 5/5 | 1500 | 1900 | 2000 |
| 3V700 | 276 | 130 | 130.3 | 94.9 | 5/5 | 700 | 1100 | 1200 | |

6,500 / 7,000 / 8,000 lb. capacities

Main Truck Specifications

| CHARACTERISTICS | | | | Nissan | Nissan | Nissan | Nissan | |
|-----------------|--------------------------------|------------------------------|--------------------------|---------------------|--------------------------------|--------------------------------|--------------------------------|----|
| 1 | Manufacturer's Name | | | Nissan | Nissan | Nissan | Nissan | 1 |
| 2 | Model | Model designation | | CFS65 | CF70 | CF80 | CF80 Boxcar | 2 |
| | | Long model code | | MCU1F2A33LV / DV | MCUG1F2F35LV / DV | MCUG1F2F36LV / DV | MCUG1F2F36LV / DV | |
| 3 | Rated Load Capacity | | lb (kg) | 6500 (3250) | 7000 (3500) | 8000 (4000) | 8000 (4000) | 3 |
| 4 | Load Center | Distance | in (mm) | 24 (500) | 24 (500) | 24 (500) | 24 (500) | 4 |
| 5 | Power Type | | | LP - G/LP | LP - G/LP | LP - G/LP | LP - G/LP | 5 |
| 6 | Operator Orientation | | | Sit | Sit | Sit | Sit | 6 |
| 7 | Tire Type | Front & rear | | Cushion | Cushion | Cushion | Cushion | 7 |
| 8 | Wheels | Number (x=driven) front/rear | | 2 x /2 | 2 x /2 | 2 x /2 | 2 x /2 | 8 |
| 9 | Mast | Maximum fork height | in (mm) | 122 (3100) | 122 (3100) | 122 (3100) | 122 (3100) | 9 |
| | | Standard freelif | in (mm) | 7.1 (180) | 7.1 (180) | 7.1 (180) | 7.1 (180) | 10 |
| 11 | Forks | Thickness & width | in (mm) | 2 x 5 (50x125) | 2 x 5 (50x125) | 2 x 5 (50x125) | 2 x 5 (50x125) | 11 |
| | | Length | in (mm) | 42 (1070) | 42 (1070) | 42 (1070) | 42 (1070) | |
| 12 | Tilt Angle | Standard mast - fwd/back | degree | 5/10 | 5/10 | 5/10 | 5/10 | 12 |
| 13 | Overall Dimensions | Length (to face of forks) | in (mm) | 96.3 (2445) | 98.2 (2495) | 100 (2540) | 94.4 (2400) | 13 |
| | | Width (standard tires) | in (mm) | 43.9 (1115) | 45.9 (1165) | 45.9 (1165) | 45.9 (1165) | 14 |
| | | Mast lowered (OHL) | in (mm) | 82.7 (2100) | 83.1 (2110) | 83.1 (2110) | 83.1 (2110) | 15 |
| | | Mast extended with LBR | in (mm) | 178.5 (4535) | 178.7 (4540) | 178.7 (4540) | 178.7 (4540) | 16 |
| | | Height - top of OHG | in (mm) | 82.1 (2085) | 82.3 (2090) | 82.3 (2090) | 82.3 (2090) | 17 |
| | | Height - top of standard LBR | in (mm) | 48 (1220) | 48 (1220) | 48 (1220) | 48 (1220) | 18 |
| | | Width - standard carriage | in (mm) | 40.2 (1020) | 40.2 (1020) | 40.2 (1020) | 40.2 (1020) | 19 |
| 20 | Grade Clearance | Ramp breakover angle | tan (%) | 42 | 44 | 44 | 44 | 20 |
| | | Departure angle | tan (%) | 26 | 32 | 32 | 41 | |
| | | Approach angle | tan (%) | 26 | 24 | 24 | 24 | |
| 21 | Turning Radius | Minimum outside | in (mm) | 81.5 (2070) | 82.5 (2095) | 83.9 (2130) | 79.9 (2030) | 21 |
| 22 | Overhang | Front | in (mm) | 17.7 (450) | 17.9 (455) | 17.9 (455) | 17.9 (455) | 22 |
| | | Rear | in (mm) | 23.4 (595) | 21.3 (540) | 23 (585) | 17.5 (446) | 23 |
| 24 | Min right angle stacking aisle | Add load length & clearance | in (mm) | 99.2 (2520) | 100.4 (2550) | 101.8 (2585) | 97.8 (2485) | 24 |
| 25 | Speeds Maximum | Travel - forward or reverse | mph (kmh) | 10.6 (17) | 11.5 (18.5) fwd / 9.9 (16) rev | 11.5 (18.5) fwd / 9.9 (16) rev | 11.5 (18.5) fwd / 9.9 (16) rev | 25 |
| | | Lift - full/empty | fpm (mm/sec) | 88.6/92.5 (450/470) | 88.6/92.5 (450/470) | 88.6/92.5 (450/470) | 88.6/92.5 (450/470) | 26 |
| | | Lowering - full/empty | fpm (mm/sec) | 82.7/70.9 (420/360) | 82.7/70.9 (420/360) | 82.7/70.9 (420/360) | 82.7/70.9 (420/360) | |
| 27 | Drawbar Pull Max. | LP - full load | lb (kg) | 4189 (1900) | 6228 (2825) | 6228 (2825) | 6228 (2825) | 27 |
| | | LP - empty | lb (kg) | 1764 (800) | 2425 (1100) | 2425 (1100) | 2425 (1100) | |
| 28 | Gradeability Max. (1.2 mph) | LP - full/empty | tan (%) | 24 / 16 | 38 / 18 | 34 / 15 | 34 / 15 | 28 |
| 29 | Truck Weight | Standard truck - no load | lb (kg) | 9825 (4455) | 10460 (4740) | 11150 (5055) | 11515 (5222) | 29 |
| 30 | Weight Distribution | Front axle - empty | lb (kg) | 2755 (1250) | 3365 (1525) | 3150 (1425) | 3385 (1535) | 30 |
| | | Rear axle - empty | lb (kg) | 7070 (3205) | 7095 (3215) | 8000 (3630) | 8130 (3687) | |
| | | Front axle - with rated load | lb (kg) | 14225 (6715) | 15365 (7250) | 16190 (7320) | 17065 (7739) | |
| | | Rear axle - with rated load | lb (kg) | 2100 (990) | 2095 (990) | 2960 (1335) | 2450 (1111) | |
| 31 | Tire Size | Front | in | 21 x 8 x 15 | 22 x 9 x 16 | 22 x 9 x 16 | 22 x 9 x 16 | 31 |
| | | Rear | in | 16.25 x 6 x 11.25 | 18 x 6 x 12.12 | 18 x 6 x 12.12 | 18 x 6 x 12.12 | |
| 32 | Wheelbase | | in (mm) | 55.1 (1400) | 59.1 (1500) | 59.1 (1500) | 59.1 (1500) | 32 |
| 33 | Tread - Center of Tire | Front | in (mm) | 35.8 (910) | 37 (940) | 37 (940) | 37 (940) | 33 |
| | | Rear | in (mm) | 35 (890) | 36.6 (930) | 36.6 (930) | 36.6 (930) | |
| | Headroom | SIP to bottom of OHG | in (mm) | 42.1 (1070) | 42.1 (1070) | 42.1 (1070) | 42.1 (1070) | |
| | Counterweight Height | | in (mm) | 45.5 (1155) | 46.4 (1180) | 46.4 (1180) | 50.4 (1280) | |
| | Step Height | | in (mm) | 16.5 (420) | 17.1 (435) | 17.1 (435) | 17.1 (435) | |
| 34 | Ground Clearance | Under mast | in (mm) | 2.8 (70) | 3.1 (80) | 3.1 (80) | 3.1 (80) | 34 |
| | | Under power unit | in (mm) | 3.5 (90) | 3.7 (95) | 3.7 (95) | 3.7 (95) | |
| | | Under frame (WB center) | in (mm) | 5.5 (140) | 5.7 (145) | 5.7 (145) | 5.7 (145) | |
| 35 | Service Brake | Type | | Drum and Shoe | Drum and Shoe | Drum and Shoe | Drum and Shoe | 35 |
| 36 | Parking Brake | Type | | Hand | Hand | Hand | Hand | 36 |
| 37 | Steering | Type | | Full Hydraulic | Full Hydraulic | Full Hydraulic | Full Hydraulic | 37 |
| 38 | Engine | Model | | Nissan K25 | Nissan K25 | Nissan K25 | Nissan K25 | 38 |
| | Rated Output | SAE gross - LP | hp (kW) @ rpm | 62.9 (46.9) @ 2700 | 62.9 (46.9) @ 2700 | 62.9 (46.9) @ 2700 | 62.9 (46.9) @ 2700 | |
| | Rated Torque | SAE gross - LP | ft-lb (Nm) @ rpm | 138.7 (188) @ 1600 | 138.7 (188) @ 1600 | 138.7 (188) @ 1600 | 138.7 (188) @ 1600 | |
| | Displacement | | cu in (cm ³) | 151.8 (2488) | 151.8 (2488) | 151.8 (2488) | 151.8 (2488) | |
| 39 | Transmission | Type | | Automatic | Automatic | Automatic | Automatic | 39 |
| | | Number speeds - fwd/rev | | 1/1 | 2/1 | 2/1 | 2/1 | |

Available Equipment

Standard Equipment

- Nissan's own K21 and K25 industrial engines with Electronic Concentrated Control System (ECCS)
- Electronic fuel injected technology with single-port fuel injection (LP) / multi-port injection (Gas)
- Low emission levels, well below EPA Tier II and CARB requirements
- Engine/transmission protection and warning system to safeguard your investment
- Operator Presence System includes seat-actuated power interrupt, auto-mast lock, return-to-neutral, audio and visual warnings
- Full suspension seat with operator restraint system
- Seat belt warning system, horn, and back-up alarm
- Tilt-adjustable steering wheel with memory
- Multifunction LCD display with operator PIN security access
- Hour meter, clock, and calendar
- On-board diagnostics and programmable service reminder
- Speedometer and F/N/R transmission indicator
- Engine coolant temperature gauge and low fuel warning light (LP) / fuel gauge (Gas)
- Cushioned stability control
- Automatic transmission with drive-by-wire throttle control
- Hydrostatic power steering
- Single lift/tilt hydraulic control lever
- High air intake system combined with cyclone air filter
- Swing-out LP bracket (LP models only)
- Overhead guard mounted headlights
- 5-piece reinforced overhead guard
- One-piece, no-tool floorboard

Optional Equipment

- Ground speed control (high/low speed settings) and controlled acceleration mode
- Dual fuel engine for LP and Gasoline
- UL safety ratings available for LP fuel types*
- Swing-down LP bracket*
- Separate lift & tilt hydraulic control levers
- Fingertip controls*
- Steering wheel with spinner knob
- Swivel seat with rear OHG mounted assist grip with horn button*
- Recycler Special package
- Drive-in racking (30" at 60" / 28" at 54")*
- Extra tilt
- Open core radiator with straight fin & in-line tube design
- Radiator screen
- Diffusion exhaust muffler
- Overhead guard mounted pre-cleaner
- Rear combination light package
- Rotating beacons & strobe lights
- Rear work light

*Available on select models. Consult factory.

Technical Information **cushion models**

With features designed to exceed expectations in the areas of performance, fuel efficiency, emissions regulations, operator comfort and low cost of ownership, the Platinum II Series is the result of Nissan's relentless pursuit in achieving the perfect balance between the needs of the **Owner, Operator** and the **Environment**.

Electronic Fuel Injection Engine Technology

Platinum II Series models are powered by Nissan's own K21 (2.1 liter) and K25 (2.5 liter) electronic fuel injected industrial engines. Their Electronic Concentrated Control System (ECCS) analyzes engine performance parameters and optimizes engine operation, resulting in enhanced productivity and lower fuel consumption. This system includes three main components: Engine Control Module (ECM), Vehicle Control Module (VCM), and Multifunction LCD Display.

The ECM responds to sensor input by controlling basic engine-related functions, such as proper air/fuel ratio, torque and speed, based on the requirements of the application. The VCM monitors a number of sensors to alert the operator of changing conditions via a full range of warning indicators located on the truck's LCD display. All communication among these components occurs through a Controller Area Network (CAN) system.

Nissan's K-series engines use the same proven block design and bottom-by-pass cooling system as its predecessor, the H-series engine. These enhanced engines are specifically designed and tested for industrial applications in order to deliver all the power and torque (in the low rpm range) to meet the needs of the application. As an added safeguard for your investment, the Platinum II's K21 and K25 engines include an engine/transmission protection and warning system to reduce the speed in the event of excessive heat generation or loss of oil pressure.

Low Emission Engines

Nissan's global commitment to preserving and protecting the environment is evident in the Platinum II Series' ECCS engines, providing exceptionally low emissions levels that are well below EPA Tier II and CARB requirements. Nissan is the first lift truck manufacturer to receive EPA and CARB certification for their own line-up of industrial engines. The K21 and K25's combination of ECCS and three-way catalytic system, which includes an automotive-type closed-loop design, provides enhanced fuel economy and cleaner exhaust emissions.

Enhanced Work Environment

Several standard features are included in the Platinum II Series to deliver a more comfortable and productive work environment for the operator and those in the surrounding area. Nissan's cushioned stability control design incorporates a maintenance-free rubber dampener located between the rear axle and body to enhance lateral stability under normal driving conditions.

The Nissan K-series engines offer extremely low noise levels at the operator's ear during idle and at maximum travel speeds. An optional ground speed control feature is available to control high or low maximum speed settings, while a controlled acceleration mode adjusts throttle sensitivity to increase fuel efficiency, extend drivetrain life and reduce excessive tire wear.

The Platinum II's Operator Presence System, with seat-actuated power interrupt, incorporates a mast-lock which automatically locks lift and tilt operations when the operator leaves the seat, and a return to neutral feature to minimize forklift movement if the operator leaves

the seat while the lift truck is still in gear. This presence system also includes audible and visual warnings if either the seat belt is not engaged while in travel mode, or when the parking brake has not been applied prior to the operator exiting the compartment.

A welded metal assist grip combined with a replaceable metal traction plate that's bolted to the truck's wide, low entry step, provides the operator with sure, comfortable footing and grip for this often repeated task. Nissan's own swing-down LP bracket design uses a gas spring assist to reduce operator effort during tank replacement. This optional feature also incorporates an adjustable bracket to fit various tank sizes.*

Ease of Maintenance

No tools are required to remove the one-piece diamond tread floorboard promoting fast, simple access to hydraulic components and grease fittings. Detachable side panels* and a wide-open clamshell hood provide a roomy area for service technicians to perform their tasks. The five-piece reinforced overhead guard simplifies replacement of individual components if necessary, saving time and money. An opening in the dash panel allows for quick and easy brake fluid checks.

A new multifunction LCD display includes on-board diagnostics to keep service time low, with a service reminder in order to stay current with periodic maintenance needs. Its display design provides the operator with excellent visibility and understanding of warning indicators.

Operator Comfort and Control

A spacious operator compartment provides generous foot, leg and head room for a variety of driver sizes. A standard full suspension seat with soft touch arm pads and hip restraint provides maximum operator comfort and enhanced safety. Its low profile design offers ample head clearance, while front to back travel adjustment allows a comfortable, customized fit for nearly any operator height.

The Platinum II's, tilt-adjustable steering wheel includes a memory lever, to help the operator quickly find his or her ideal driving position, while its compact design offers enhanced control and handling. Hydrostatic power steering minimizes steer effort and operator fatigue. An optional swivel seat produces greater operator comfort and visibility while driving in reverse, and includes a rear assist grip with horn button to further enhance operator productivity and maintain greater control*. Automotive-style light and turn signal levers simplify repetitive actions allowing the operator to focus on the job. Optional features designed to enhance load handling efficiency and boost operator productivity include Nissan's exclusive three-stage Optiview mast, providing up to 50% greater visibility. There's also an optional auto tilt leveling system to assist proper mast/fork positioning.

Enhanced comfort results from the Platinum II Series' Operator Comfort System, which includes a full suspension seat, pedals mounted to the chassis frame, and rubber shock absorbers located throughout the vehicle to reduce vibration from the engine and transmission to the operator.

*Available on select models. Consult factory.

Option Availability

Platinum Series Cushion Models

Standard S Option O

| | | Fuel Types | | |
|--------------------|--|------------|-----------------------|-----------|
| | | LP | Gasoline ¹ | Dual Fuel |
| Vehicle Management | Vehicle Control Module (VCM) | S | S | S |
| | Multifunction LCD display | S | S | S |
| | Security PIN access | S | S | S |
| | On-board diagnostics and service reminder | S | S | S |
| | Engine coolant temperature gauge | S | S | S |
| | Oil pressure, transmission fluid and coolant temperature warning light | S | S | S |
| | Low LP fuel warning light | S | - | S |
| | Gas gauge | - | S | S |
| Powertrain | Electronic Concentrated Control System (ECCS) | S | S | S |
| | Engine/transmission protection system | S | S | S |
| | Automatic return-to-neutral | S | S | S |
| | Three-way catalytic converter | S | S | S |
| | Cushioned stability control | S | S | S |
| | Ground speed control – high/low speed selector | O | O | O |
| | Controlled acceleration – power/economy modes | O | O | O |
| | Radiator screen | O | O | O |
| | Diffusion exhaust muffler | O | O | O |
| | UL Safety rating ¹ | O | - | - |
| LP System | Swing-out LP bracket | S | - | S |
| | Swing-down LP bracket ² | O | - | O |
| Brake | Parking brake with warning buzzer | S | S | S |
| Mast | Seat actuated auto-mast lock system | S | S | S |
| | Optiview three-stage mast | O | O | O |
| Hydraulic System | Single lift/tilt control lever | S | S | S |
| | Separate lift & tilt control levers | O | O | O |
| | Auto-tilt leveling system | O | O | O |
| | Hydraulic load sensing valve system | S | S | S |
| Steering System | Tilt steering wheel with memory lock | S | S | S |
| | Hydrostatic power steering system | S | S | S |
| Operator | Full suspension seat | S | S | S |
| Conveniences | OHG-mounted headlights | S | S | S |
| | Back-up warning buzzer | S | S | S |
| | Rearview mirrors | O | O | O |
| | Rear combination light package | O | O | O |
| | Rear work light | O | O | O |
| | Strobe lights & rotating beacons | O | O | O |

1. Available on select models. Consult factory. 2. Available on most LP and Dual Fuel models. Consult factory.



3000-lb, 3500-lb, 4000-lb



4000-lb, 5000-lb, 5500-lb,
6000-lb, 6500-lb



6000-lb, 7000-lb, 8000-lb



Nissan Forklift Corporation reserves the right to make product changes relating to colors, equipment, specifications or available options without notice. For more information, contact your Nissan Forklift representative.

